



Customization at your fingertips
CargoTech Baskets & Accessories
Sep 2020



Technik für Möbel



Drawer systems

18 – 62

Cabinet interiors

63 – 117

Hettich India Private Limited

302, Durolite House,
Opp. SAB TV, New Link Road,
Andheri (West), Mumbai - 400 053
Phone: +91 22 2674 3289/3356/4089
Fax: +91 22 2674 3267

Works

Plot No. 304, Dhanora,
Nandesari Road, Near ECPL,
Village - Dhanora - 391 346
Dist. - Vadodara
Tel: +91 26 5656 9004

Enquiry & Customer Services

Toll Free : 1800 209 2096 (office hours)
Email: sales_enquiry@in.hettich.com
customer_services@in.hettich.com
www.hettich.com



Hettich Manufacturing Unit at Vadodara, India

Hettich – an Indian success story

Hettich started operations in India with the dawn of new millennium. In the short span of 14 years, the company has gained the undisputed leadership position in the Indian furniture fittings & hardware industry.

Hettich India prides itself on having most of the major hardware dealers in India as its trade partners across the country. These dealers are spread over all important cities and towns, so that they are within easy reach of the customer. Hettich India delivers complete "peace of mind" to the Indian furniture manufacturing industry. We have a strong reputation for providing high quality and high tech products. Our products are backed by pre- and after-sales service and on-time deliveries, and by value adding services like design and installation support.

Innovation through expertise

We combine intelligent technology with functionality and design, and then we apply the results to our fittings – from drawer and runner systems, hinges and connecting fittings, to fittings for folding and sliding doors. This is how Hettich has evolved into the global success story it is today.

Our unfailing capacity for innovation and dynamic development, and our ability to come up with answers to ever-changing questions has made Hettich a technology leader worldwide. Innovation will always be a powerful driving force at Hettich.



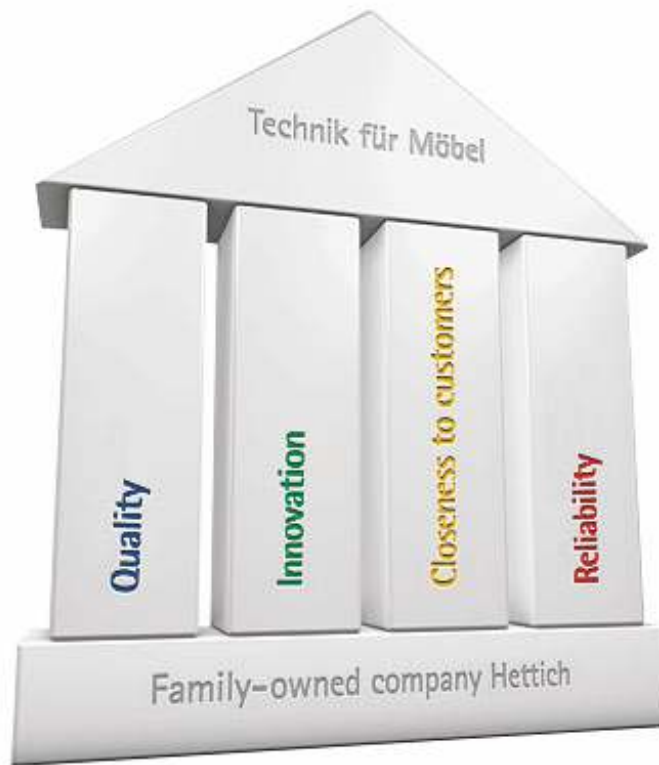
Protecting the environment

We share responsibility for the world we live in, so we take our commitment to safeguard the environment extremely seriously. Hettich's environmental management system is EMAS - compliant (EMAS is a European environmental standard incorporating ISO14001 requirements). We make every effort to be as green as we can be, so that you can work with us with a clear conscience.

We've made sure that our products and production systems are environment friendly. Almost all Hettich products can be disassembled and fully recycled. Our manufacturing systems are planned to minimize the use of energy and resources. Our products meet RHOS standards and do not damage people's health or the environment. Hettich's high quality products last a long time - which means fewer replacements and thus lower resource consumption. This all makes good economic sense for our customers too.



Hettich Forum at Kirchlengern, Germany



Quality

Hettich products stand for high quality. Once assembled, our fittings function perfectly day in, day out. High quality products and processes confirm our sense of value, our self confidence and our image. The way to our quality goal is for each one of us to cultivate an intense quality awareness.

Closeness to Customers

For us closeness to customers implies sharpened awareness, attention to detail, a grasp of complex challenges, and efficiency in production and logistics. We know our customers. We're there when our customers need us! The keynote of our partnership with our customers is direct, person-to-person communication.

Innovation

The right balance of continuity and innovation generates trust in the Hettich brand. We offer timely, high-value solutions for today's furniture; at the same time, we identify and shape the trends of tomorrow. We review and improve existing solutions ready for the future. Driving innovation is our capacity for looking at things from new angles.

Reliability

Quality, innovation, closeness to customers – they're nothing without reliability! Reliability encompasses the durability of our products and the reliability of Hettich people – each and every one of us. The solid basis for reliability is robust and stable processes.



* Refer Website



Warranty

For Warranty please refer to website. www.hettich.com/in

Free Design Service:

Looking for Designs to liven up your Living Room, Bedroom, Bathroom & Kitchen. A dedicated team of highly qualified Interior Designers is at your service to provide customised design solution to suit every taste and budget at zero cost to you.

Free Consultation at your doorstep:

Looking for perfect Furniture Fittings solution. A dedicated team of highly qualified professionals is at your service to provide the perfect furniture fittings solution to suit your need and budget at zero cost to you.

Hettich Customer Care Service:

In today's fast paced and technologically advanced era, most of the organizations succumb to the pressure of staying ahead in the competition and often, end up neglecting the most critical aspect of business i.e. CUSTOMERS. Hettich, being a CUSTOMER CENTRIC organization, is very sensitive towards this tendency; hence, we constantly try to provide the best and quality driven products and services.

Enquiry & Customer Services

Toll Free : 1800 209 2096 (office hours)
Email: sales_enquiry@in.hettich.com
customer_services@in.hettich.com
www.hettich.com

Free Training Services:

Free Training Services for carpenters of trade partners and customers

Training Center Address:

Hettich Poddar Wood Work Institute
Plot No.2, First Floor,
DLF Industrial Estate - 1
Near NHPC Metro Station
Faridabad, Haryana

Email: info@hpwwi.com
Ph: 0129 - 4203888



**Hettich Poddar
WoodWorking
Institute**
Skilling • Upskilling • Reskilling

Coming face to face with inspiration



Dip into modern home environments. Find inspiration. Come face to face with Hettich products and try them out. Experience innovative functions first hand. Understand how systems go together. Discover valuable assembly advice. Take away new ideas.



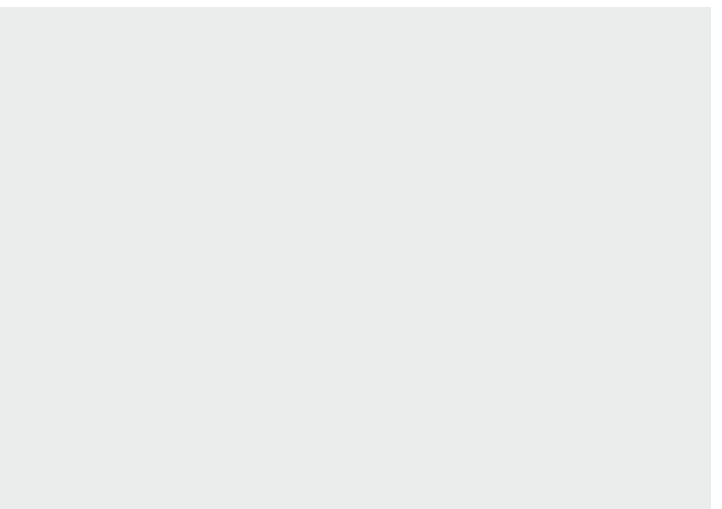
There are many good reasons to visit our showrooms. Because Hettich is best discovered at Hettich. Technik für Möbel – a fascinating world we'd like to take you through. Contact one of our branches, a Hettich importer or – if you are in Germany – our headquarters in Kirchleingern. We look forward to seeing you.

Kitchen experience: Convenience and design for indulgers



The kitchen has always been the focal point of everyday living. Hettich provides convenience and quality of life here too. With practical fitting technology that makes kitchen work easier and improves ergonomics. With drawers that open almost by themselves and close again in complete silence. With pull-outs designed to carry heavy loads for clearly organised, easy access food storage.

At the same time, Hettich technology for furniture opens up new avenues in design. Handleless front panels, wide pull-outs and large surface fronts with narrow reveals make aesthetic statements in modern kitchens. And create a purist, exclusive design for indulgers!

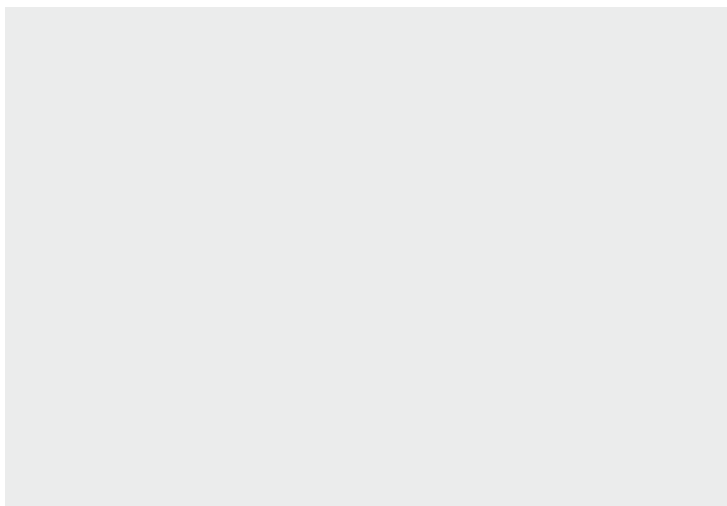


Bedroom experience: Technology for dreamers



If the bedroom were only for sleeping in – we could keep it short on this page. But modern bedrooms offer more than a peaceful night's sleep. It's a favourite place for daydreaming, for relaxing with a book or for watching a good television programme in the evening. This is also the most practical place for getting dressed and changed – or in the separate dressing room. People are becoming more demanding; which is why these spaces need intelligent functions and a homely atmosphere too.

Large surface sliding doors, handleless and flush fitted, are "balsam" for the eyes. And plenty of storage space. Synchronous sliding or the Push to open function for hinged doors add further highlights in convenience and aesthetic appeal.



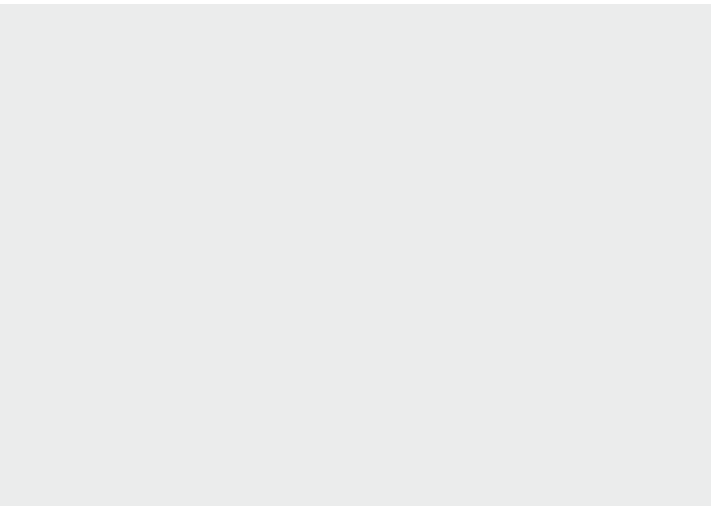
Bathroom experience: Home pampering



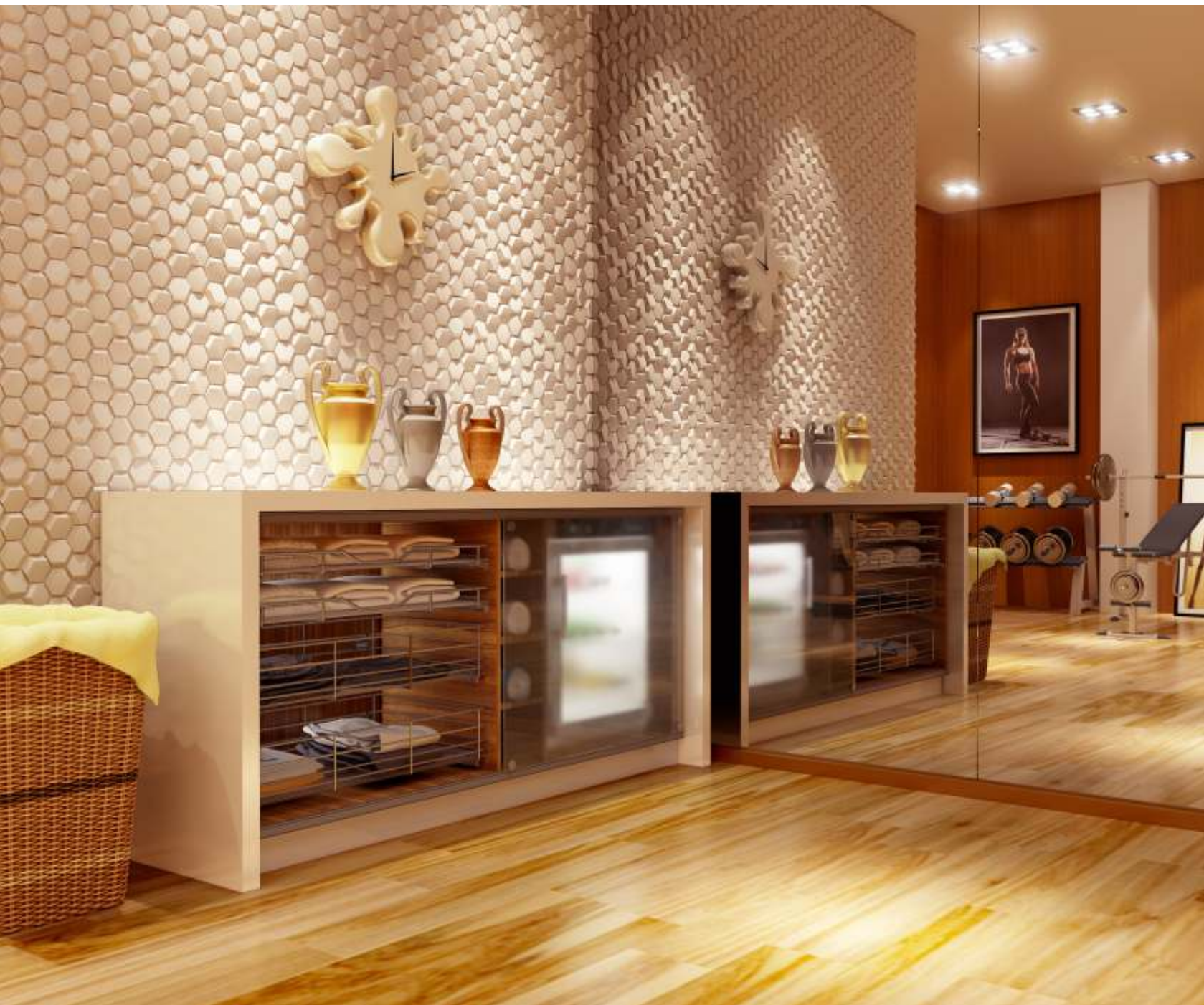
A refreshing start to the day, and a relaxing soak in the evening: the bathroom is the home's haven of pampering and indulgence. It's where body and soul can unwind. Can furniture technology be of help here?

And how! Luxury bathroom interiors pamper the senses and promote relaxation. With drawers and cabinet doors that close in silence, for example. With intelligent interior organisers that keep everything in reach. And innovative

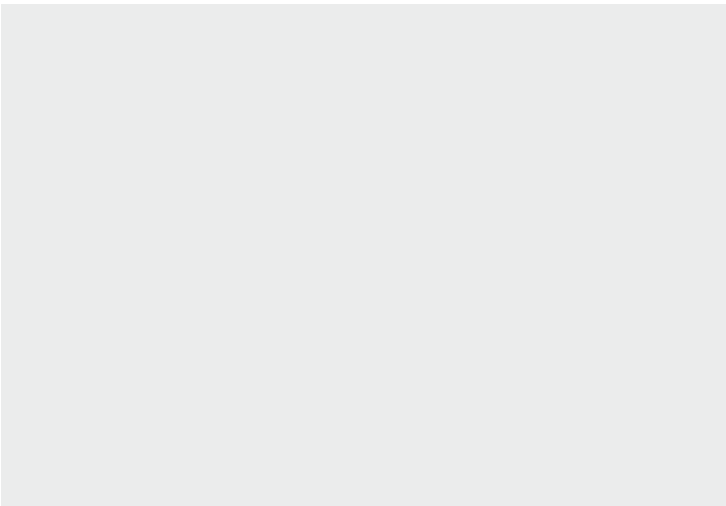
fittings that move furniture fronts smoothly and quietly. Flush fitted sliding doors running in complete silence conjure a purist ambience and calm the senses. And because Hettich technology for furniture works so gently and quietly, you rarely notice it is there. That's the biggest compliment technology can ever be paid.



Commercial spaces:
Big demands on small spaces



Intelligent, interesting, imaginative – that's how brand manufacturers want their product presentations to be. This is not only where Hettich offers creative ideas but also the right technology: fitting solutions for variable storage space and for lightweight modules. Innovative shelf and drawer systems. And solutions that are always tailored to creating any chosen store look. Easy installation and a long service life make them cost effective too. With Hettich, you can turn great ideas into practice that also work perfectly in every last detail.



Drawer systems

► Range summary / technical comparison



CargoTech



Cargo Cutlery Basket



Page	22 - 35	36
Drawer system	Single walled	Single walled
Material / finish	Chrome plated finish	Chrome plated finish
Heights	100 / 150 / 200 mm	94 mm
Nominal lengths	500 / 550 / 600 mm	500 mm
Drawer runner	Quadro / KA Telescopic	KA Telescopic
Mounting Type	Bottom / Side	Side
Load capacity	35 - 60 kg	45 kg
Silent System	Possible	Possible
Push to open mechanical opening system	Possible	Possible
Easys electromechanical opening system	-	-

Drawer systems

► Range summary / technical comparison



CargoTech M



CargoPlus



37 - 50

51 - 62

Single walled

Double walled

Chrome plated finish

Inlet chrome plated finish & InnoTech standard finishes

100 / 150 / 200 mm

70 / 144 mm

500 / 550 / 600 mm

470 / 520 mm

KA Telescopic

Quadro

Side

Bottom

45 kg

30 - 50 kg

Possible

Possible

Possible

Possible

-

Possible



The new range of wire baskets are manufactured at our Vadodara Plant which has international standards of stringent quality controls. Each process is devised to produce a world class quality product. Automatic plating plant is used to provide excellent plating finish, hence we achieve such quality that makes us the only company who provides 10 year replacement warranty against rusting.



Compatible with quadro & telescopic runners



Load capacity 35 to 60 kg



3 way fascia adjustment



Available in three depths 500 mm, 550 mm & 600 mm



Please refer Page 34 - 35 for Technical Information and Installation

CargoTech

- ▶ Range summary
- ▶ Chrome plated



Plain basket, height 100 mm

22



Plain basket, height 150 mm

23



Plain basket, height 200 mm

24



Cutlery inlet

25



OrgaTray 440

26



Cup inlet

27



Saucer inlet

28



Cup & saucer inlet

29



Thali inlet

30

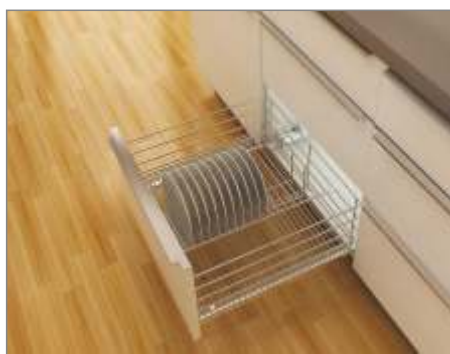


Plate inlet

31



Separator inlet

32



Bottle separator inlet

33

CargoTech

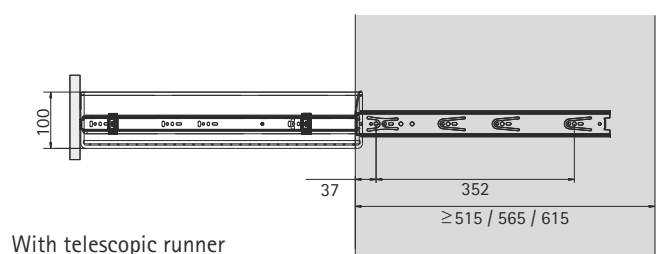
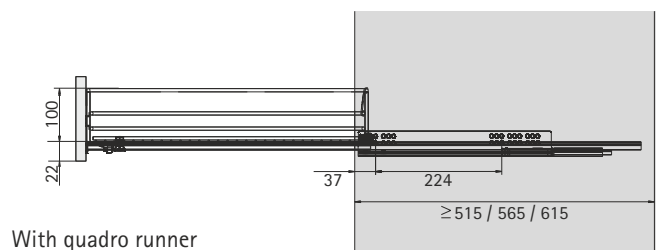
- ▶ Plain basket, height 100 mm
- ▶ Chrome plated



- ▶ Front panel precise adjustment with fascia parts
- ▶ Available in three depths 500 mm, 550 mm & 600 mm
- ▶ Order runner & clamps accordingly

Basket depth mm	500	550	600
Minimum carcass internal depth mm	515	565	615

Planning dimensions



Basket width mm	Carcass external width mm (for side panel thickness 18 mm)	Order no. / nominal depth in mm			PU
		500 mm	550 mm	600 mm	
386	450	9 156 381	9 156 394	9 206 781	6 pc
436	500	9 156 385	9 156 398	9 206 784	6 pc
486	550	9 159 547	9 159 550	9 206 787	6 pc
536	600	9 156 388	9 156 401	9 206 992	6 pc
836	900	9 156 391	9 156 404	9 206 995	6 pc

Advice

For Quadro & KA Telescopic runner, see page 112 - 116
 For installation, see page 34 - 35

CargoTech

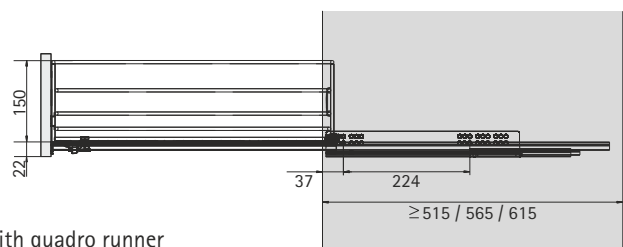
- ▶ Plain basket, height 150 mm
- ▶ Chrome plated



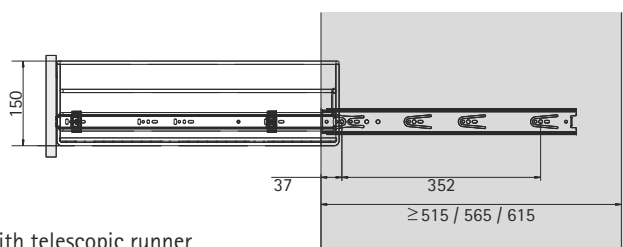
- ▶ Front panel precise adjustment with fascia parts
- ▶ Available in three depths 500 mm, 550 mm & 600 mm
- ▶ Order runner & clamps accordingly

Basket depth mm	500	550	600
Minimum carcass internal depth mm	515	565	615

Planning dimensions



With quadro runner



With telescopic runner

Basket width mm	Carcass external width mm (for side panel thickness 18 mm)	Order no. / nominal length in mm			PU
		500 mm	550 mm	600 mm	
386	450	9 156 383	9 156 395	9 206 782	4 pc
436	500	9 156 386	9 156 399	9 206 785	4 pc
486	550	9 159 548	9 159 551	9 206 789	4 pc
536	600	9 156 389	9 156 402	9 206 993	4 pc
836	900	9 156 392	9 156 405	9 206 996	4 pc

Advice

For Quadro & KA Telescopic runner, see page 112 - 116
 For installation, see page 34 - 35

CargoTech

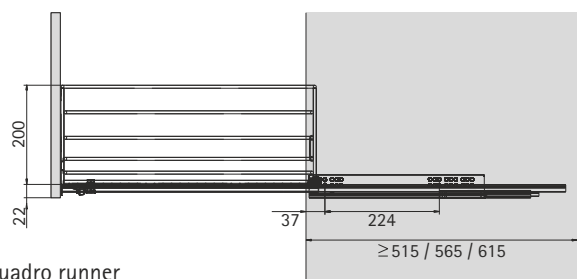
- ▶ Plain basket, height 200 mm
- ▶ Chrome plated



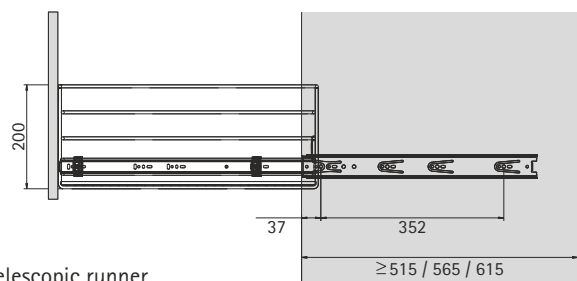
- ▶ Front panel precise adjustment with fascia parts
- ▶ Available in three depths 500 mm, 550 mm & 600 mm
- ▶ Order runner & clamps accordingly

Basket depth mm	500	550	600
Minimum carcass internal depth mm	515	565	615

Planning dimensions



With quadro runner



With telescopic runner

Basket width mm	Carcass external width mm (for side panel thickness 18 mm)	Order no. / nominal length in mm			PU
		500 mm	550 mm	600 mm	
386	450	9156 384	9 156 396	9 206 783	3 pc
436	500	9 156 387	9 156 400	9 206 786	3 pc
486	550	9 159 549	9 159 552	9 206 790	3 pc
536	600	9 156 390	9 156 403	9 206 994	3 pc
836	900	9 156 393	9 156 406	9 206 997	3 pc

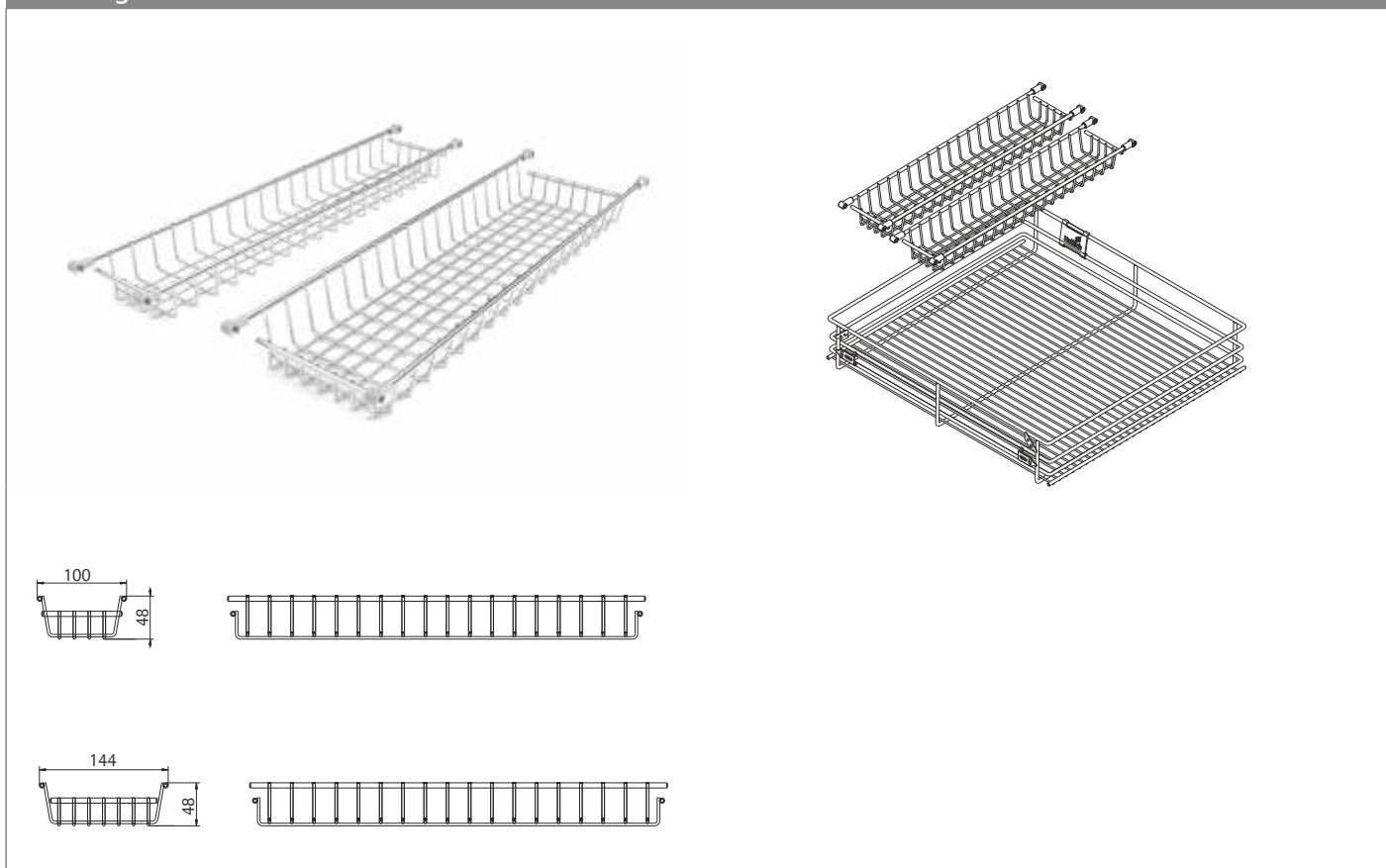
Advice

For Quadro runner, see page 112 - 116
For installation, see page 34



- ▶ To be used with 100 mm CargoTech basket
- ▶ Convenient way of storing cutlery
- ▶ Four end connectors fix inlet to basket on 2nd wire from the top
- ▶ Available widths- 100 mm & 144 mm, combination of these two fit in all baskets widths
- ▶ Recommended shutter height ≥ 140 mm

Planning dimensions



Inlet width mm	Order no. / nominal length in mm			PU
	500 mm	550 mm	600 mm	
100	9 190 416	9 190 418	9 206 949	1 pc
144	9 190 417	9 190 419	9 206 950	1 pc



- ▶ For general-purpose use
- ▶ Knife holder and/or spice rack can be added
- ▶ Plastic, silver

Planning dimensions



Partitioning

D 441 520		*	*	*	*	*
W	351- 400	401- 450	451- 500	501- 550	801-850	
NW	450	500	550	600	900	

* = knife and spice rack can be incorporated

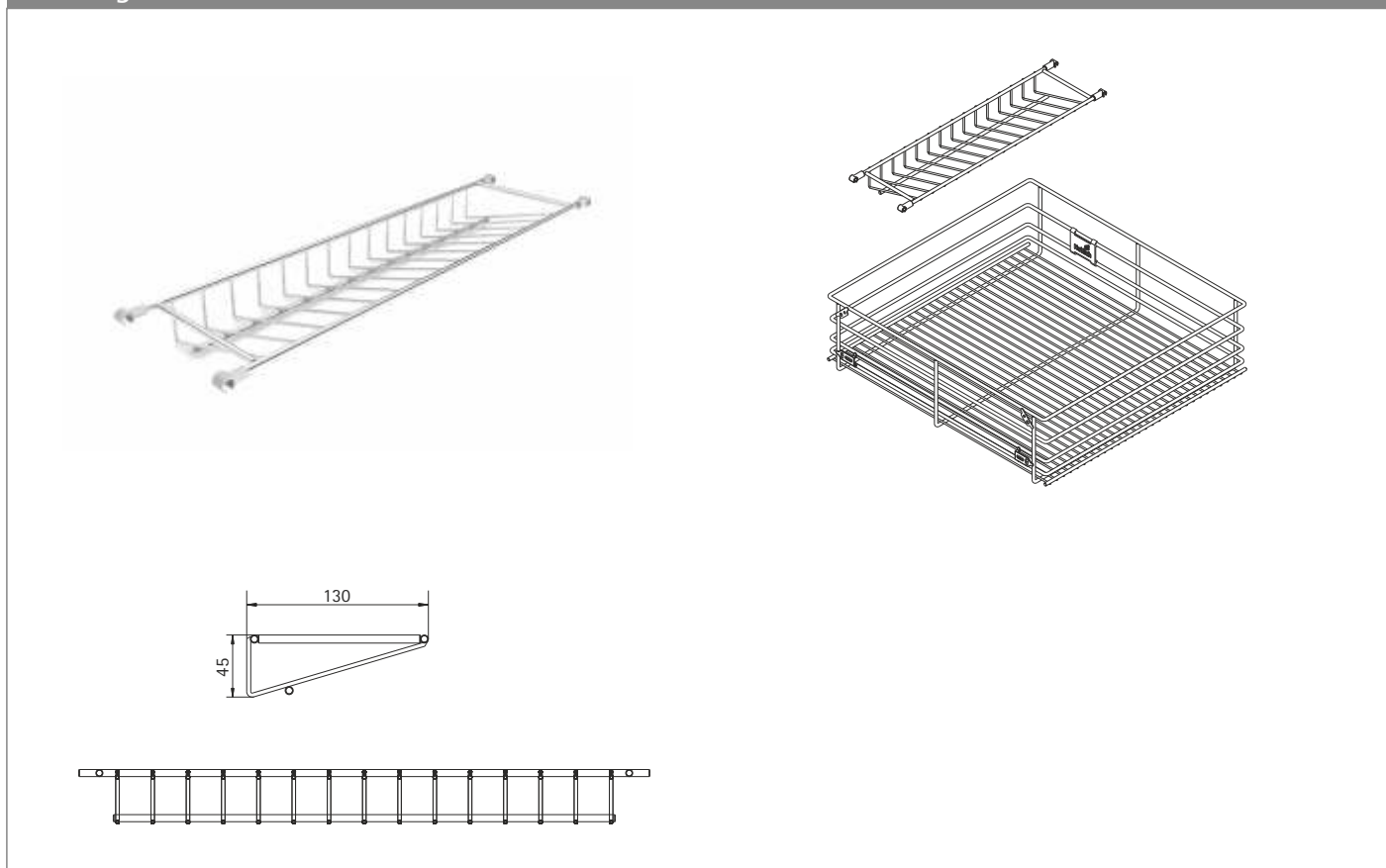
D = Depth W = Width NW = Nominal width

Basket width mm	Carcase external width mm (for side panel thickness 18 mm)	Order no. / depth mm 441-520	PU
386	450	9 194 934	1 pc
436	500	9 194 935	1 pc
486	550	9 194 936	1 pc
536	600	9 194 937	1 pc
836	900	9 194 940	1 pc



- ▶ To be used with 150 mm CargoTech basket
- ▶ Four end connectors fix inlet to basket on 2nd wire from the top
- ▶ Recommended shutter height ≥ 200 mm
- ▶ Number of cups for basket depth:
 - 500 mm - 6 nos.
 - 550 mm - 7 nos.
 - 600 mm - 8 nos.

Planning dimensions

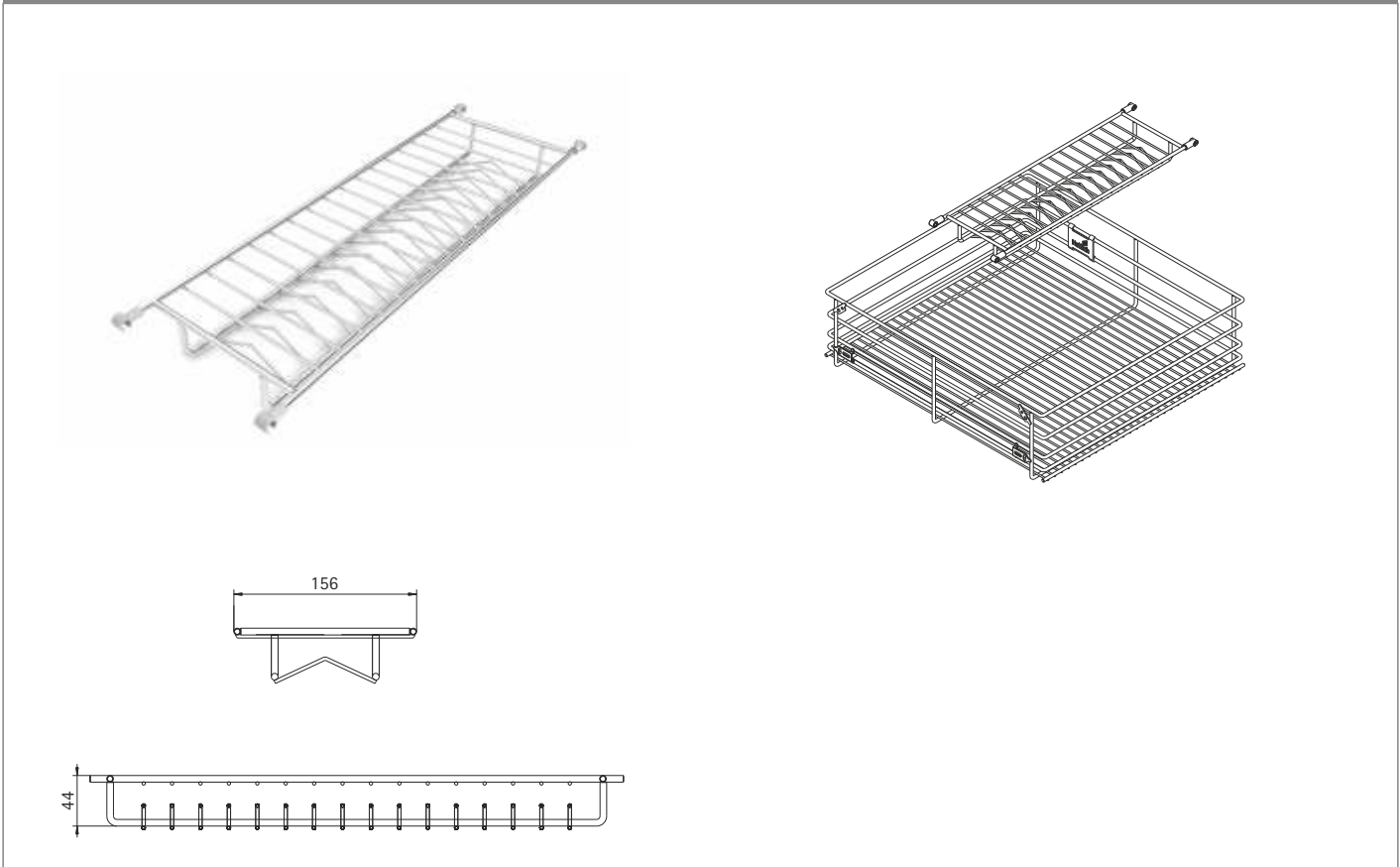


Inlet width mm	Order no. / nominal length in mm			PU
	500 mm	550 mm	600 mm	
130	9 156 346	9 156 415	9 206 916	1 pc



- ▶ To be used with 150 mm CargoTech basket
- ▶ Four end connectors fix inlet to basket on 2nd wire from the top
- ▶ Recommended shutter height 200 mm
- ▶ Number of saucers for basket depth:
 - 500 mm - 17 nos.
 - 550 mm - 19 nos.
 - 600 mm - 21 nos.

Planning dimensions

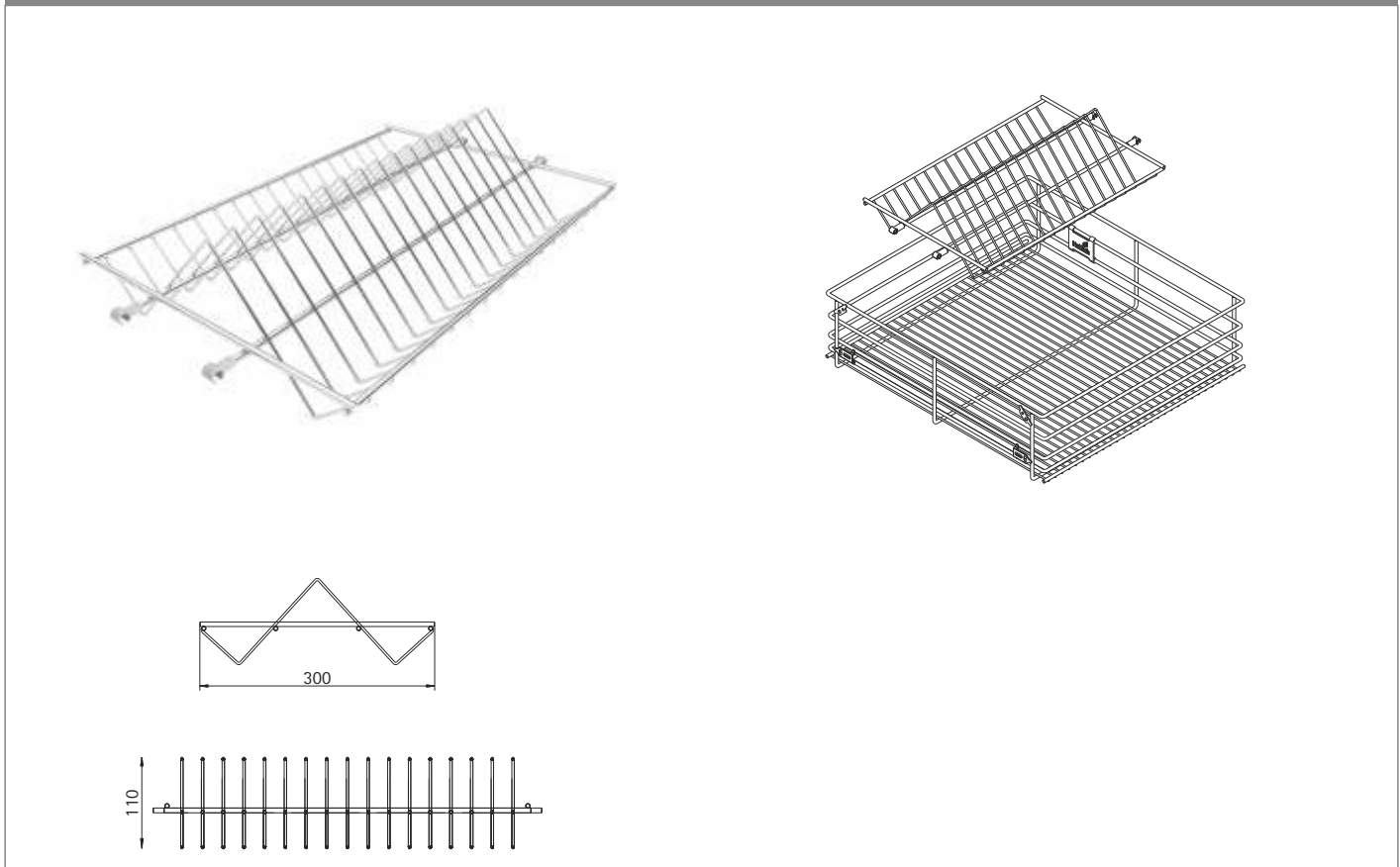


Inlet width mm	Order no. / nominal length in mm			PU
	500 mm	550 mm	600 mm	
156	9 156 345	9 156 414	9 206 917	1 pc



- ▶ To be used with 150 mm CargoTech basket
- ▶ Four end connectors fix inlet to basket on 2nd wire from the top
- ▶ Recommended shutter height 200 mm
- ▶ Number of cups for basket depth:
 - 500 mm - 12 nos.
 - 550 mm - 14 nos.
 - 600 mm - 16 nos.
- ▶ Number of saucers for basket depth:
 - 500 mm - 16 nos.
 - 550 mm - 18 nos.
 - 600 mm - 20 nos.

Planning dimensions

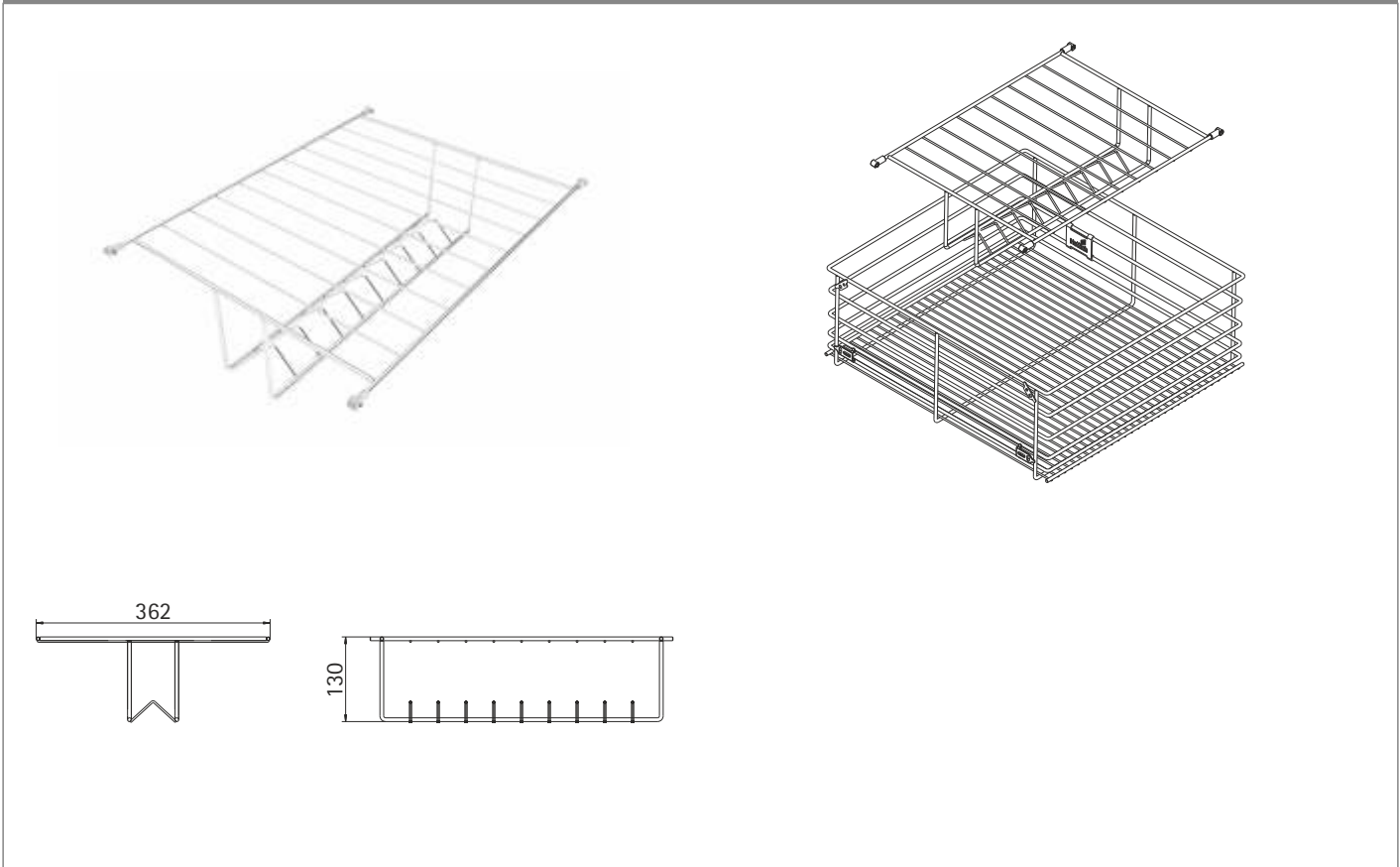


Inlet width mm	Order no. / nominal length in mm			PU
	500 mm	550 mm	600 mm	
300	9 156 344	9 156 413	9 206 915	1 pc



- ▶ To be used with 200 mm CargoTech basket
- ▶ Four end connectors fix inlet to basket on 2nd wire from the top
- ▶ Less clutter noise as thali touches inlet at two places
- ▶ Recommended shutter height ≥ 360 mm
- ▶ Number of thalis for basket depth:
 - 500 mm - 10 nos.
 - 550 mm - 11 nos.
 - 600 mm - 12 nos.

Planning dimensions

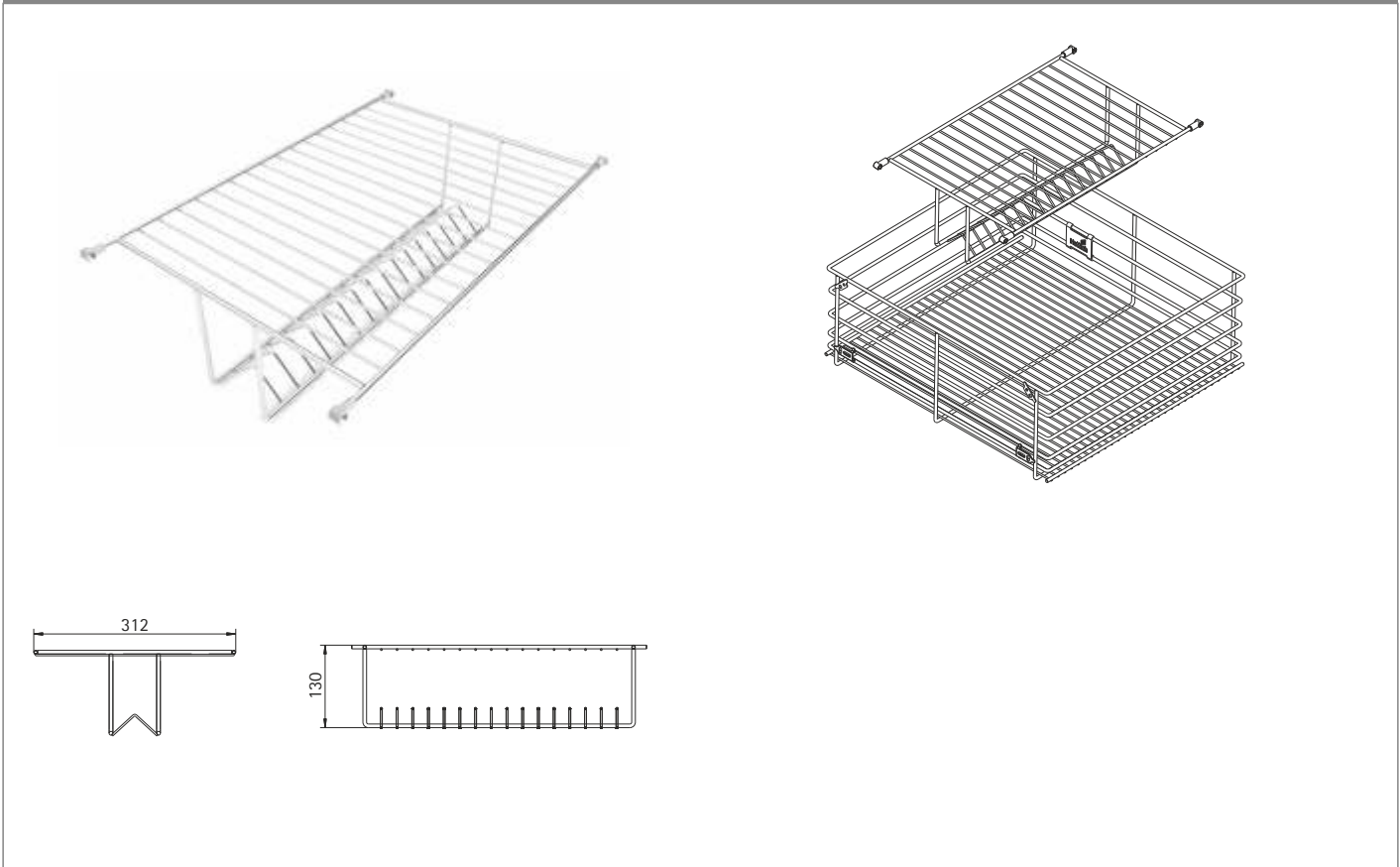


Inlet width mm	Order no. / nominal length in mm			PU
	500 mm	550 mm	600 mm	
362	9 156 342	9 156 411	9 206 913	1 pc



- To be used with 200 mm CargoTech basket
- Four end connectors fix inlet to basket on 2nd wire from the top
- Less clutter noise as plate touches inlet at two places
- Recommended shutter height ≥ 360 mm
- Number of plates for basket depth:
 - 500 mm - 17 nos.
 - 550 mm - 19 nos.
 - 600 mm - 21 nos.

Planning dimensions

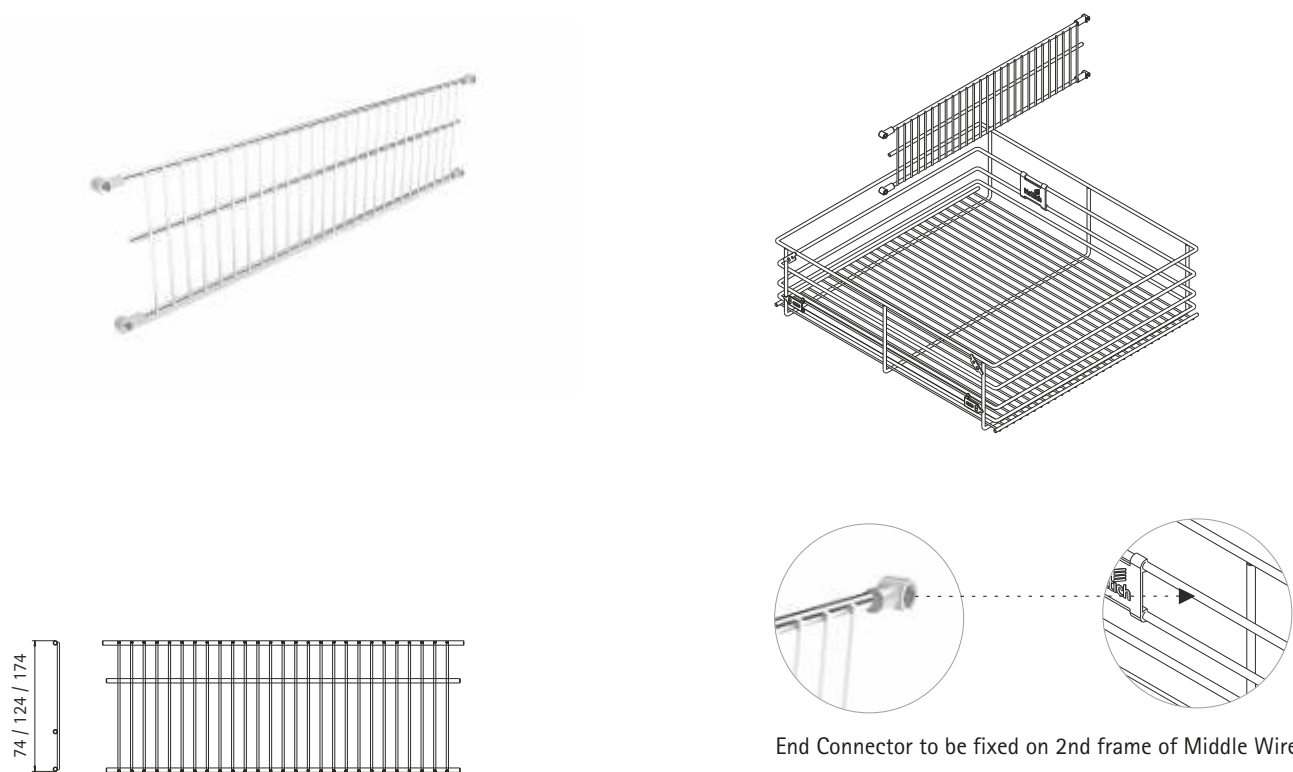


Inlet width mm	Order no. / nominal length in mm			PU
	500 mm	550 mm	600 mm	
312	9 156 343	9 156 412	9 206 914	1 pc



- ▶ Can be fitted at any width to divide the basket along the whole depth
- ▶ Available for all three heights of 100, 150 Et 200 mm
- ▶ Four end connectors fix inlet to basket on 2nd wire from the top

Planning dimensions

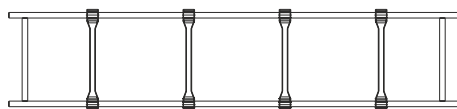
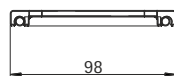
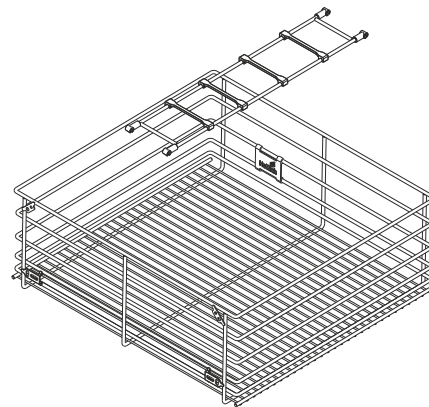


Inlet height mm	For CargoTech basket height mm	Order no. / nominal length in mm			PU
		500 mm	550 mm	600 mm	
74	100	9 156 408	9 156 417	9 206 951	5 pc
124	150	9 156 409	9 156 419	9 206 952	5 pc
174	200	9 156 410	9 156 420	9 206 953	5 pc



- ▶ To be used with 150 / 200 mm CargoTech basket
- ▶ Four end connectors fix inlet to basket on 2nd wire from the top
- ▶ To separate bottle, use plastic separator as required
- ▶ Can be used to hold big size coffee mugs or glasses also
- ▶ Number of bottles for basket depth:
 - 500 mm - 5 nos.
 - 550 mm - 6 nos.
 - 600 mm - 7 nos.

Planning dimensions



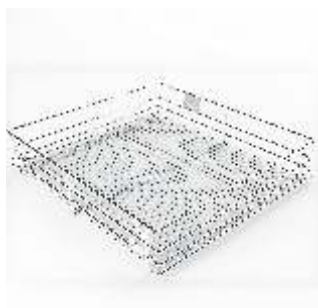
Inlet width mm	Order no. / nominal length in mm			PU
	500 mm	550 mm	600 mm	
98	9 156 347	9 156 416	9 206 948	5 pc

Installation

► With Quadro runner



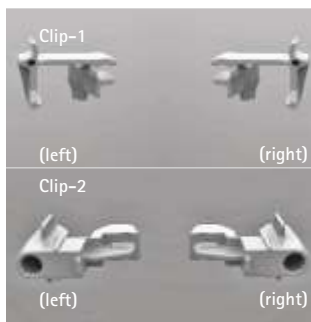
Components



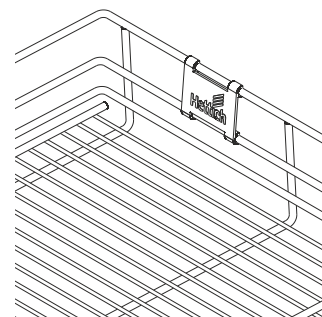
1) CargoTech



2) Quadro Runner

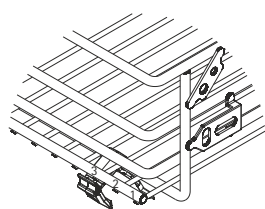


3) Clips- (in pair) Left & Right

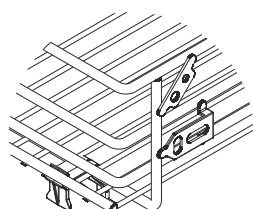


4) Logo

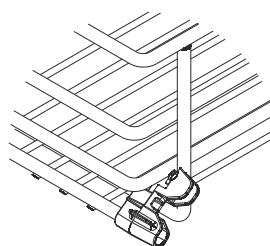
Installation stages



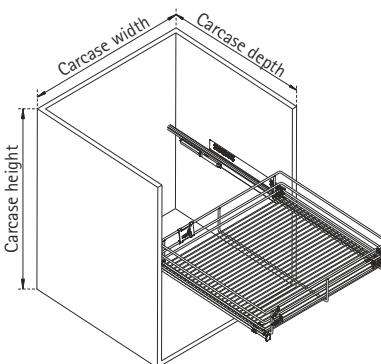
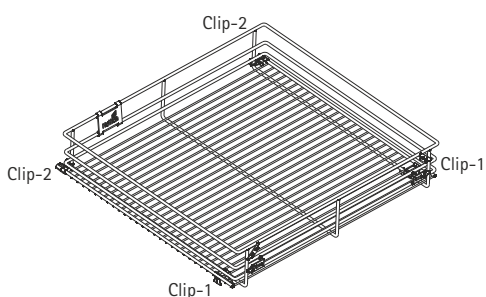
1. Push Clip-1 in third gap & rotate to fix it



2. Insert Clip-2 to back end of basket & rotate to fix it



3. Fix Clip 1 & Clip 2 to basket front & rear ends

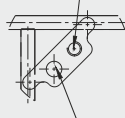
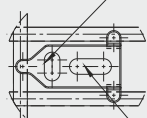


5. Final assembly, basket fixed to fascia

Fascia fixing & adjustment

Use Screw here for Fascia Vertical Adjustment

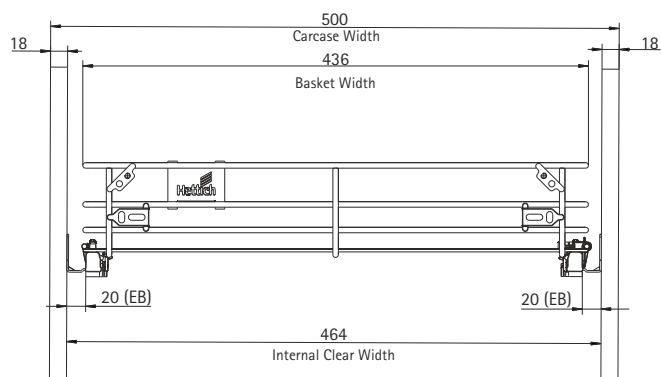
Use Grub Screw here for Fascia Front & Back Adjustment



Use Screw here for Fascia Horizontal Adjustment

Use Screw here for Fixing Fascia

*For angular adjustment remove fixing screw & use other 3 screws.



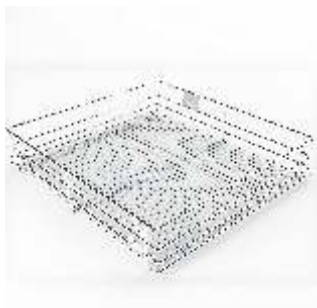
*Carcase internal elevation with basket on Quadro runner

Installation

► With KA telescopic runner



Components



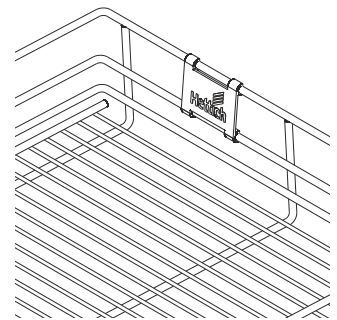
1) CargoTech



2) KA Telescopic Runner

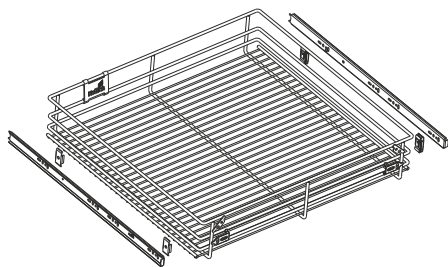


3) Clips

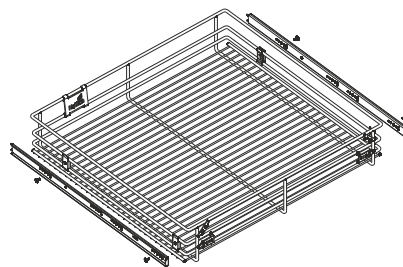


4) Logo

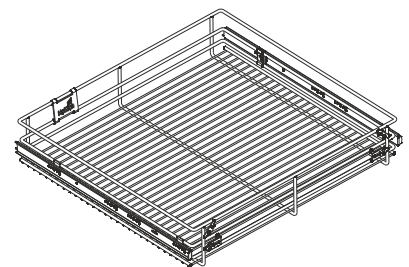
Installation stages



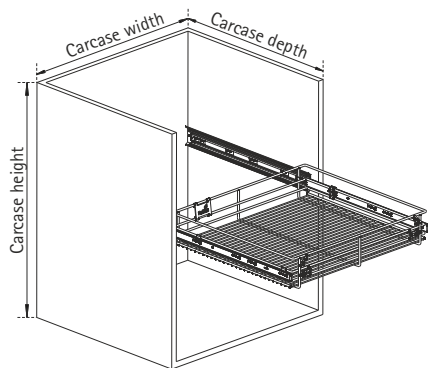
1. Align Components



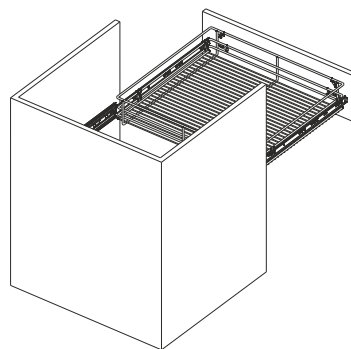
2. Attach clips



3. Fix runner with clips

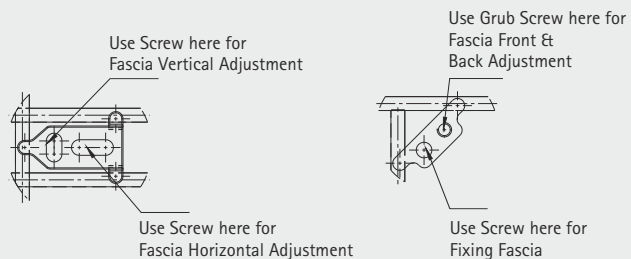


4. Check alignment with Carcase

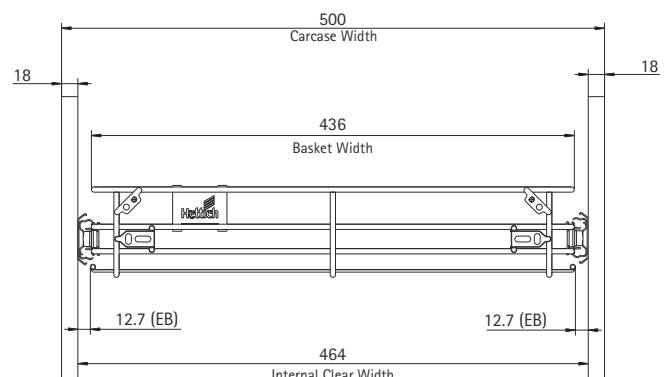


5. Final assembly, basket fixed to fascia

Fascia fixing & adjustment



*For angular adjustment remove fixing screw & use other 3 screws.



*Carcase internal elevation with basket on KA runner

Cargo Cutlery Basket

► Chrome Plated



Features



► Convenient way of storing cutlery

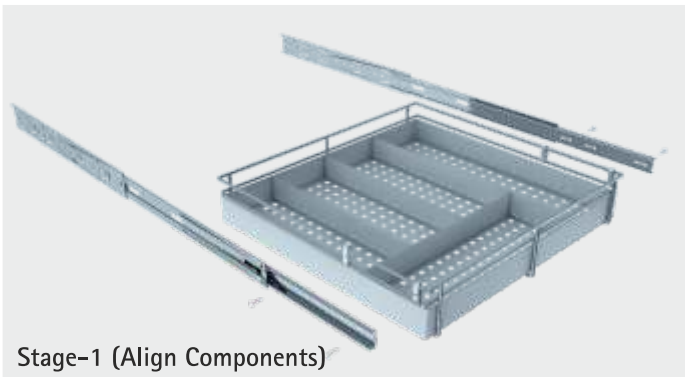
Technical Details

- For carcass external width 450 mm, 500 mm, 550 mm, 600 mm
- Available depth 500 mm only
- Front panel precise adjustment with fascia parts
- Compatible with 500 mm KA telescopic only
- Wire Basket Finish- Chrome Plated

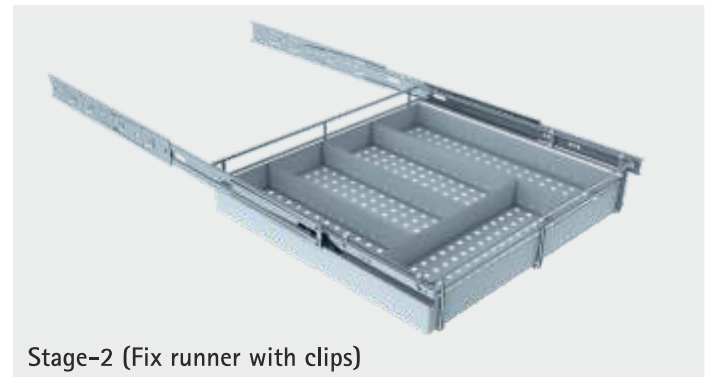
Note: Order runner & clamps separately



Installation with KA



Stage-1 (Align Components)



Stage-2 (Fix runner with clips)



Stage-3 (Check alignment with Carcass)



Stage-4 (Final assembly, basket fixed to fascia)

S.no.	Description	Unit	Article no.	PU
1.	Cargo Cutlery Basket W 386 (386 x 500 x 94)	Pc	9 279 342	1
2.	Cargo Cutlery Basket W 436 (436 x 500x 94)	Pc	9 275 311	1
3.	Cargo Cutlery Basket W 486 (486 x 500x 94)	Pc	9 275 312	1
4.	Cargo Cutlery Basket W 536 (536 x 500x 94)	Pc	9 270 287	1

Advice

For Telescopic runner, see page 115 - 116

CargoTech M



Hettich product development team created universal solutions to the end users of wire baskets in Kitchens. CargoTech M can be installed in ready made size carcasses with telescopic runners only with no need to for any adjustments. CargoTech M and the range consist of well designed sturdy baskets for holding different products like Thali, Saucer, Cups, Cutlery, Jar etc.



Compatible with telescopic runners



Load capacity 45 kg



Well designed baskets



Available in three depths 500 mm, 550 mm & 600 mm



Please refer Page 49 - 50 for Technical Information and Installation

CargoTech M

- ▶ Range summary
- ▶ Chrome plated



Plain basket, height 100 mm

39



Plain basket, height 150 mm

40



Plain basket, height 200 mm

41



Cutlery basket, height 100 mm

42



Cutlery basket, height 100 mm

43



Cup & saucer basket, height 100 mm

44



Cup & saucer / jar basket, height 100 mm

45



Thali basket, height 200 mm

46



Thali / jar basket, height 200 mm

47



Thali / Plate / jar / thali basket,
height 200 mm

48

CargoTech M

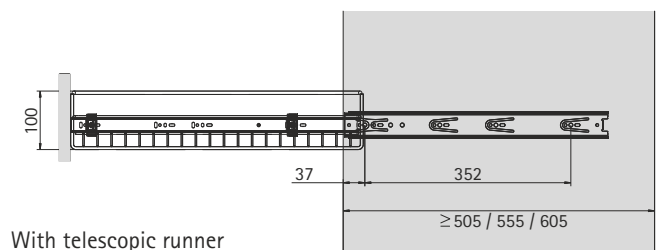
- ▶ Plain basket, height 100 mm
- ▶ Chrome plated



- ▶ Available in three depths 500 mm, 550 mm & 600 mm
- ▶ Order KA telescopic runner & clamps separately

Basket depth mm	500	550	600
Minimum carcass internal depth mm	505	555	605

Planning dimensions



With telescopic runner

Basket width mm	Carcass external width mm (for side panel thickness 18 mm)	Order no. / nominal length in mm			PU
		500 mm	550 mm	600 mm	
386	450	9 190 382	9 206 742	9 206 791	6 pc
436	500	9 190 385	9 206 745	9 206 794	6 pc
486	550	9 190 388	9 206 778	9 206 797	6 pc
536	600	9 190 401	9 206 982	9 206 998	6 pc
836	900	9 190 404	9 206 988	9 207 001	6 pc

Advice

For Telescopic runner, see page 115 - 116
 For installation, see page 49 - 50

CargoTech M

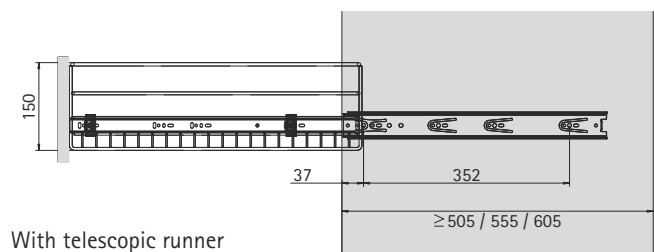
- ▶ Plain basket, height 150 mm
- ▶ Chrome plated



- ▶ Available in three depths 500 mm, 550 mm & 600 mm
- ▶ Order KA telescopic runner & clamps separately

Basket depth mm	500	550	600
Minimum carcass internal depth mm	505	555	605

Planning dimensions



Basket width mm	Carcass external width mm (for side panel thickness 18 mm)	Order no. / nominal length in mm			PU
		500 mm	550 mm	600 mm	
386	450	9 190 383	9 206 743	9 206 792	4 pc
436	500	9 190 386	9 206 746	9 206 795	4 pc
486	550	9 190 389	9 206 779	9 206 838	4 pc
536	600	9 190 402	9 206 985	9 206 999	4 pc
836	900	9 190 405	9 206 990	9 207 002	4 pc

Advice

For Telescopic runner, see page 115 - 116
 For installation, see page 49 - 50

CargoTech M

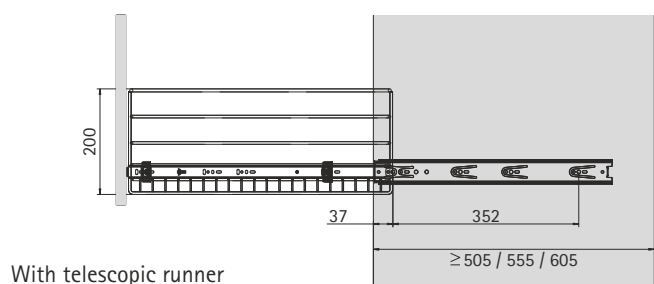
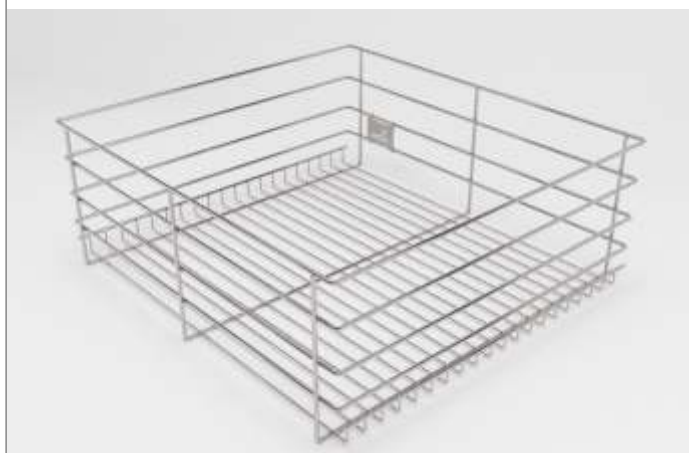
- ▶ Plain basket, height 200 mm
- ▶ Chrome plated



- ▶ Available in three depths 500 mm, 550 mm & 600 mm
- ▶ Order KA telescopic runner & clamps separately

Basket depth mm	500	550	600
Minimum carcass internal depth mm	505	555	605

Planning dimensions



Basket width mm	Carcass external width mm (for side panel thickness 18 mm)	Order no. / nominal length in mm			PU
		500 mm	550 mm	600 mm	
386	450	9 190 384	9 206 744	9 206 793	3 pc
436	500	9 190 387	9 206 747	9 206 796	3 pc
486	550	9 190 390	9 206 780	9 206 839	3 pc
536	600	9 190 403	9 206 987	9 207 000	3 pc
836	900	9 190 406	9 206 991	9 207 003	3 pc

Advice

For Telescopic runner, see page 115 - 116
For installation, see page 49 - 50

CargoTech M

▶ Cutlery basket, height 100 mm



- ▶ Variable in width
- ▶ For nominal lengths of 500 mm
- ▶ White plastic
- ▶ Order CargoTech M basket separately

Planning dimensions



Partitioning

D		
433 - 483		
W	400 - 440	500 - 540
NW	500	600

D = Depth W = Width NW = Nominal width

Cutlery width mm	Basket width mm	Order no. / depth mm (500)	PU
400-440	436	0 044 919	1 pc
500-540	536	0 044 918	1 pc

CargoTech M

▶ Cutlery basket, height 100 mm



- ▶ For general-purpose use
- ▶ Plastic silver
- ▶ Order CargoTech M basket separately

Planning dimensions



Partitioning

D 441 520		*	*	*	*
W	351- 400	401- 450	451- 500	501- 550	801-850
NW	450	500	550	600	900

* = knife and spice rack can be incorporated

D = Depth W = Width NW = Nominal width

Basket width mm	Carcase external width mm (for side panel thickness 18 mm)	Order no. / depth mm 441-520	PU
386	450	9 194 934	1 pc
436	500	9 194 935	1 pc
486	550	9 194 936	1 pc
536	600	9 194 937	1 pc
836	900	9 194 940	1 pc

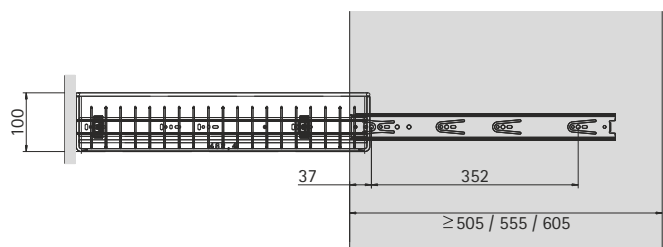
CargoTech M

▶ Cup & saucer basket, height 100 mm



- ▶ Convenient way of keeping cup & saucers
- ▶ Recommended shutter height ≥ 180 mm
- ▶ Order KA telescopic runner & clamps separately
- ▶ Number of saucers for basket depth:
 - 500 mm - 18 nos.
 - 550 mm - 20 nos.
 - 600 mm - 22 nos.

Planning dimensions



With telescopic runner

Basket width mm	Height mm	Order no. / nominal length in mm			PU
		500 mm	550 mm	600 mm	
386	100	9 194 314	9 206 840	9 206 846	6 pc

Advice

For Telescopic runner, see page 115 - 116
 For installation, see page 49 - 50

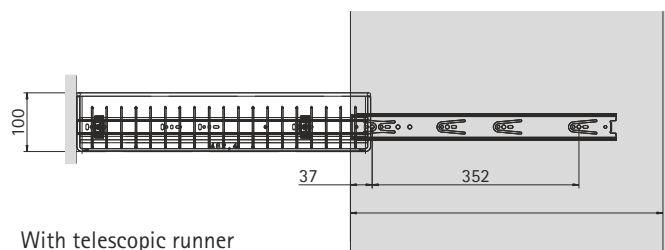
CargoTech M

► Cup & saucer / jar basket, height 100 mm



- Convenient way of keeping cup & saucers / jars
- Recommended shutter height ≥ 180 mm
- Order KA telescopic runner & clamps separately
- Number of saucers for basket depth:
 - 500 mm - 18 nos.
 - 550 mm - 20 nos.
 - 600 mm - 22 nos.

Planning dimensions



With telescopic runner

Basket width mm	Height mm	Order no. / nominal length in mm			PU
		500 mm	550 mm	600 mm	
436	100	9 194 316	9 206 842	9 206 909	6 pc
486	100	9 194 318	9 206 844	9 206 911	6 pc
536	100	9 194 320	9 207 004	9 207 011	6 pc

Advice

For Telescopic runner, see page 115 - 116

For installation, see page 49 - 50

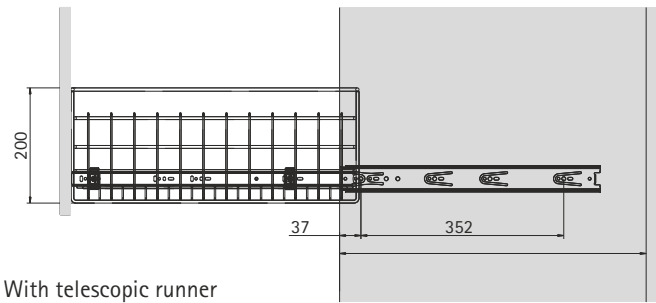
CargoTech M

► Thali basket, height 200 mm



- Convenient way of keeping thali
- Recommended shutter height ≥ 360 mm
- Order KA telescopic runner & clamps separately
- Number of thalis for basket depth:
 - 500 mm - 11 nos.
 - 550 mm - 12 nos.
 - 600 mm - 13 nos.

Planning dimensions



Basket width mm	Height mm	Order no. / nominal length in mm			PU
		500 mm	550 mm	600 mm	
386	200	9 194 315	9 206 841	9 206 908	3 pc
436	200	9 194 317	9 206 843	9 206 910	3 pc

Advice

For Telescopic runner, see page 115 - 116
 For installation, see page 49 - 50

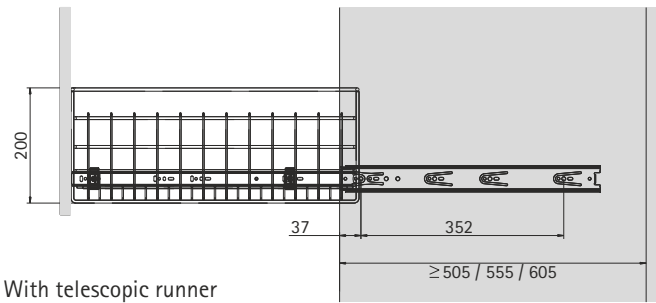
CargoTech M

► Thali / jar basket, height 200 mm



- Convenient way of keeping thali & jars
- Recommended shutter height ≥ 360 mm
- Order KA telescopic runner & clamps separately
- Number of thalis for basket depth:
 - 500 mm - 11 nos.
 - 550 mm - 12 nos.
 - 600 mm - 13 nos.

Planning dimensions



With telescopic runner

Basket width mm	Height mm	Order no. / nominal length in mm			PU
		500 mm	550 mm	600 mm	
486	200	9 194 319	9 206 845	9 206 912	3 pc
536	200	9 194 321	9 207 007	9 207 012	3 pc

Advice

For Telescopic runner, see page 115 - 116
 For installation, see page 49 - 50

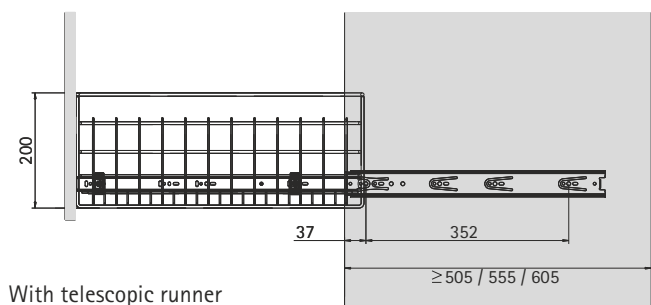
CargoTech M

► Thali / plate / jar basket, height 200 mm



- Convenient way of keeping thali, plate & jars
- Recommended shutter height ≥ 360 mm
- Order KA telescopic runner & clamps separately
- Number of thalis for basket depth:
 - 500 mm - 11 nos.
 - 550 mm - 12 nos.
 - 600 mm - 13 nos.
- Number of plates for basket depth:
 - 500 mm - 18 nos.
 - 550 mm - 20 nos.
 - 600 mm - 22 nos.

Planning dimensions



Basket width mm	Height mm	Order no. / nominal length in mm			PU
		500 mm	550 mm	600 mm	
836	200	9 194 322	9 207 010	9 207 013	3 pc

Advice

For Telescopic runner, see page 115 - 116
 For installation, see page 49 - 50

Installation

► With KA telescopic runner



Components



1) CargoTech M



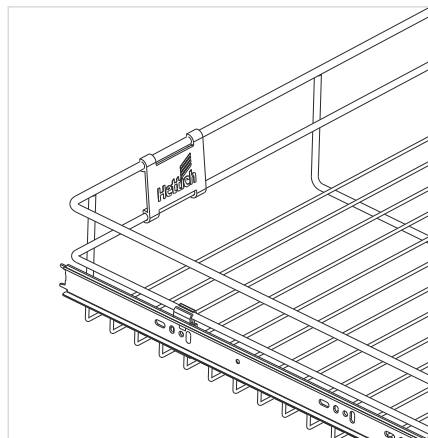
2) KA Telescopic Runner



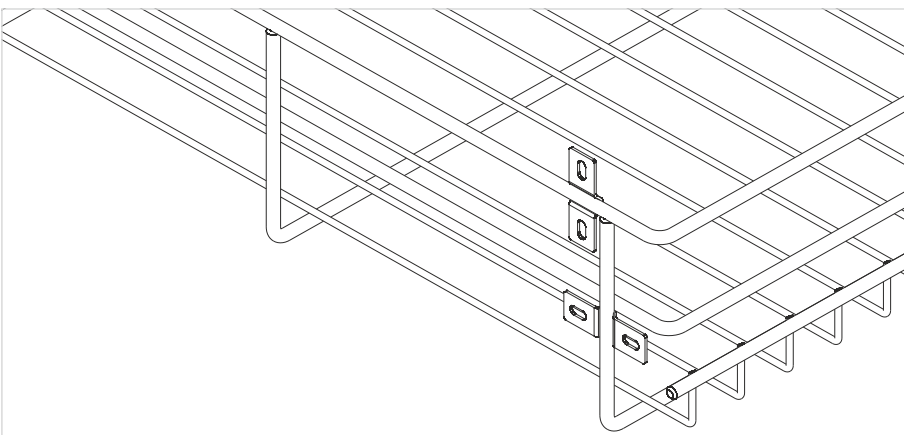
3) Clip (8 nos.)



4) Fascia attachment (4 nos.)

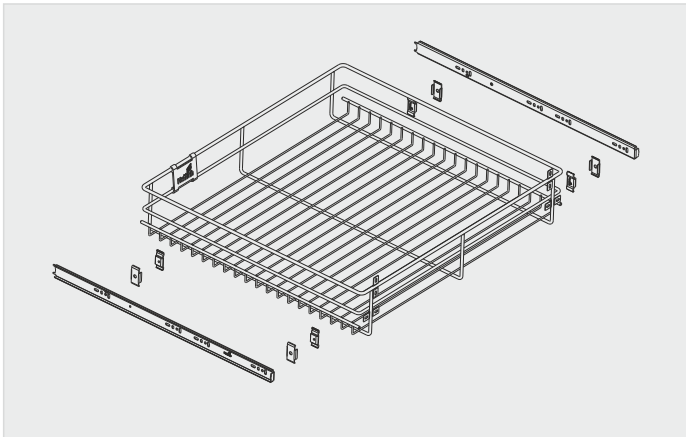


5) Logo

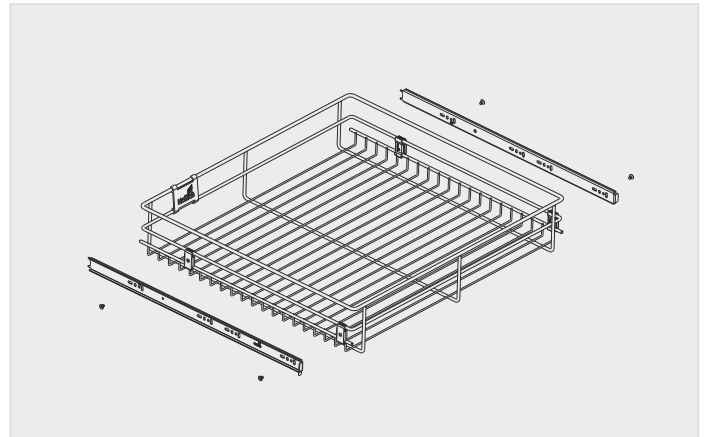


Position of Fascia attachment

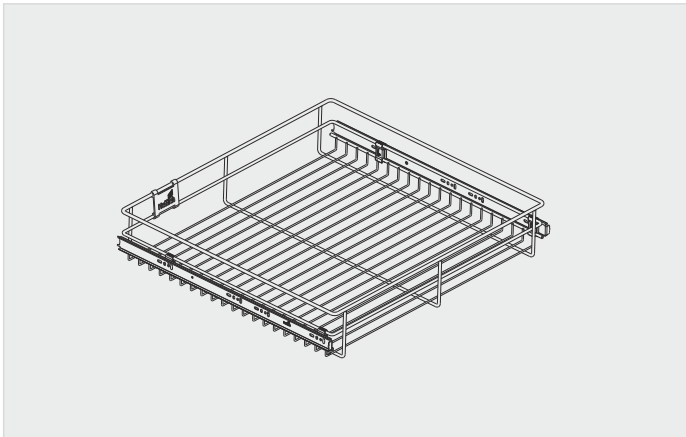
Installation stages



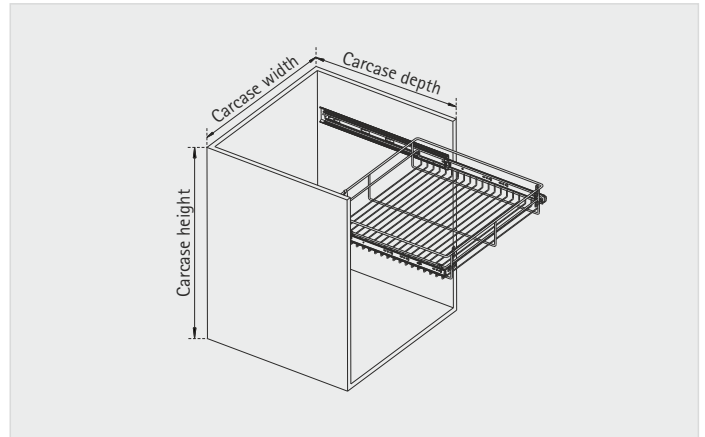
1. Align Components



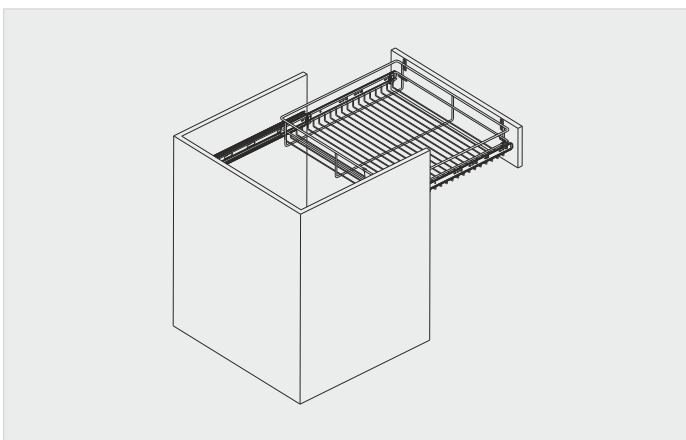
2. Attach clips



3. Fix runner with clips



4. Check alignment with Carcass



5. Final assembly, basket fixed to fascia



CargoPlus: Uniqueness of InnoTech and convenience of CargoTech combined together

To fulfil people's emerging need for a drawer system having a mix of aesthetics and functionality of InnoTech and versatile inlets of CargoTech, Hettich has introduced "CargoPlus". This unique amalgamation of our two products offers greater flexibility to people wanting to have a look, feel and usability of both drawer system and wire baskets.



Compatible with quadro runners



Load capacity 30 to 50 kg



3 way fascia adjustment



Available in two depths 470 mm & 520 mm



Please refer Page 61 - 62 for Technical Information and Installation

CargoPlus

- ▶ Range summary
- ▶ Chrome plated



Plain basket, height 70 mm

53



Plain basket, height 144 mm

54



OrgaTray 440, height 70 mm

55



Cup & saucer inlet, height 70 mm

56



Plate inlet, height 144 mm

57



Thali inlet, height 144 mm

58



Thali & plate Inlet, height 144 mm

59

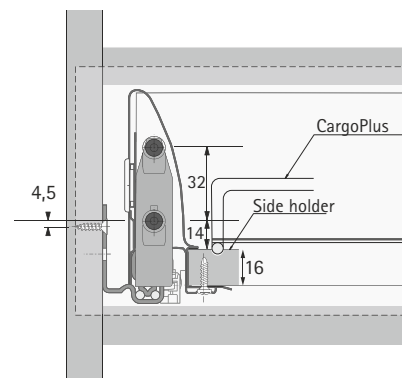
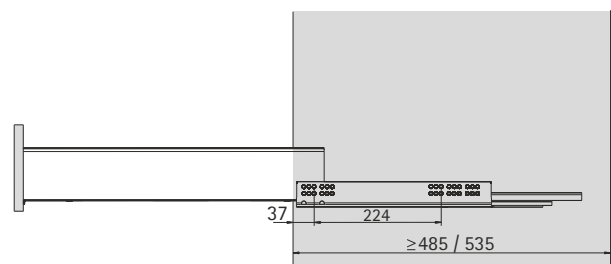
CargoPlus

- ▶ Plain basket, height 70 mm
- ▶ Chrome plated



- ▶ Available in three different sizes for external carcass widths of 450 mm, 600 mm Et 900 mm
- ▶ Order InnoTech separately
- ▶ Only for EB 9.5

Planning dimensions



Basket width mm	Carcase external width mm (for side panel thickness 18 mm)	Order no. / nominal length in mm		PU
		470 mm	520 mm	
312	450	9 216 602	9 216 605	4 pc
462	600	9 216 603	9 216 606	4 pc
762	900	9 216 604	9 216 607	4 pc

Advice

For Quadro runner, see page 112 - 114
For installation, see page 61 - 62

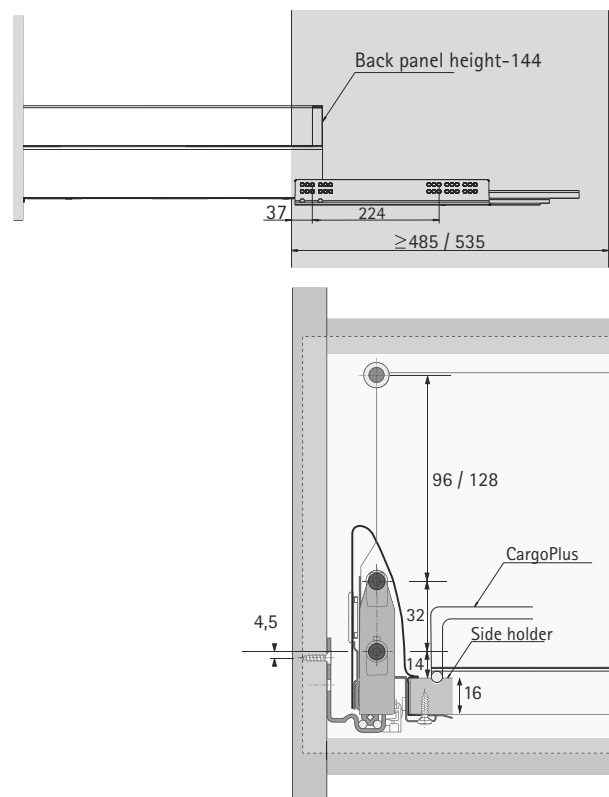
CargoPlus

- ▶ Plain basket, height 144 mm
- ▶ Chrome plated



- ▶ Available in three different sizes for external carcass widths of 450 mm, 600 mm Et 900 mm
- ▶ Order InnoTech separately
- ▶ Only for EB 9.5

Planning dimensions



Basket width mm	Carcase external width mm (for side panel thickness 18 mm)	Order no. / nominal length in mm		PU
		470 mm	520 mm	
312	450	9 216 602	9 216 605	4 pc
462	600	9 216 603	9 216 606	4 pc
762	900	9 216 604	9 216 607	4 pc

Advice

For Quadro runner, see page 112 - 114
For installation, see page 61 - 62

CargoPlus

► OrgaTray 440, height 70 mm



- For general-purpose use
- Knife holder and/or spice rack can be added
- Recommended shutter height ≥ 140 mm
- Surface finish: Silver

Planning dimensions



Partitioning

D 441 520		*	*	*	*	*
W	351- 400	401- 450	451- 500	501- 550	801-850	
NW	450	500	550	600	900	

* = knife and spice rack can be incorporated

D = Depth W = Width NW = Nominal width

Carcase external width mm (for side panel thickness 18 mm)	Order no. / depth mm 441-520	PU
450	9 194 934	1 pc
500	9 194 935	1 pc
550	9 194 936	1 pc
600	9 194 937	1 pc
900	9 194 940	1 pc

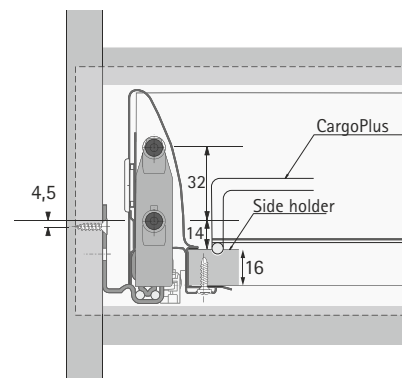
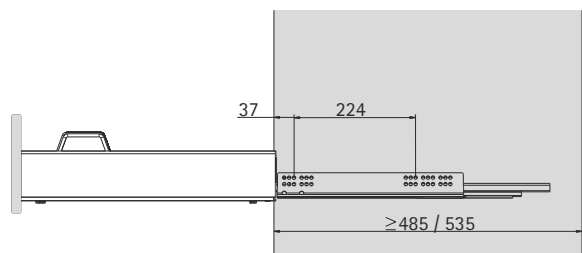
CargoPlus

► Cup & saucer inlet, height 70 mm



- Can take upto 10 regular sized saucers for 450 mm carcass width & 16 regular sized saucers for 600 mm carcass width
- Recommended shutter height ≥ 200 mm
- Order InnoTech separately
- Only for EB 9.5

Planning dimensions



Carcass external width mm (for side panel thickness 18 mm)	Order no. / nominal length in mm		PU
	470 mm	520 mm	
450	9 216 610	9 216 613	6 pc
600	9 216 616	9 216 619	6 pc

Advice

For Quadro runner, see page 112 - 114
 For installation, see page 61 - 62

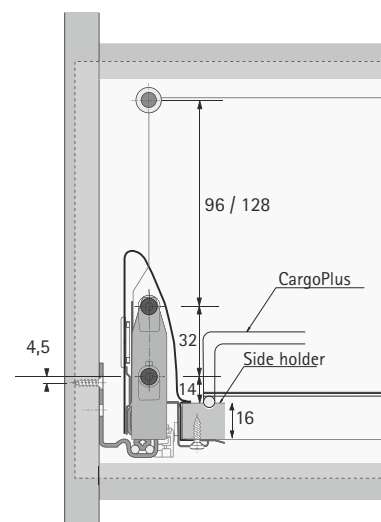
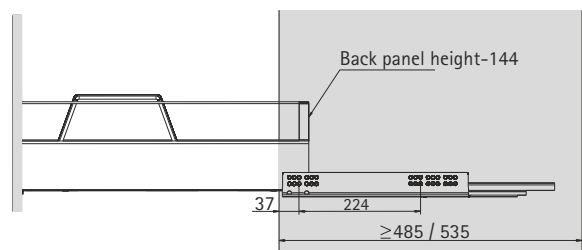
CargoPlus

▶ Plate inlet, height 144 mm



- ▶ Can take upto 10 regular sized plates for 450 mm carcass width & 16 regular sized plates for 600 mm carcass width
- ▶ Less clutter noise as plate touches inlet at two places
- ▶ Recommended shutter height ≥ 360 mm
- ▶ Order InnoTech separately
- ▶ Only for EB 9.5

Planning dimensions



Carcase external width mm (for side panel thickness 18 mm)	Order no. / nominal length in mm		PU
	470 mm	520 mm	
450	9 216 609	9 216 612	4 pc
600	9 216 615	9 216 618	4 pc

Advice

For Quadro runner, see page 112 - 114
For installation, see page 61 - 62

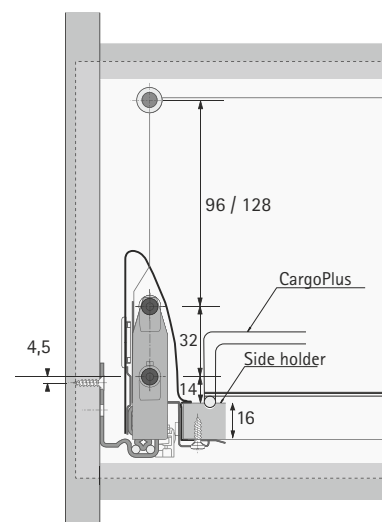
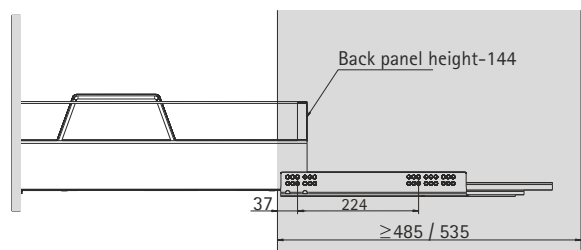
CargoPlus

▶ Thali inlet, height 144 mm



- ▶ Can take upto 6 regular sized thalis for 450 mm carcass width & 8 regular sized thalis for 600 mm carcass width
- ▶ Less clutter noise as thali touches inlet at two places
- ▶ Recommended shutter height ≥ 360 mm
- ▶ Order InnoTech separately
- ▶ Only for EB 9.5

Planning dimensions



Carcase external width mm (for side panel thickness 18 mm)	Order no. / nominal length in mm		PU
	470 mm	520 mm	
450	9 216 608	9 216 611	3 pc
600	9 216 614	9 216 617	3 pc

Advice

For Quadro runner, see page 112 - 114
For installation, see page 61 - 62

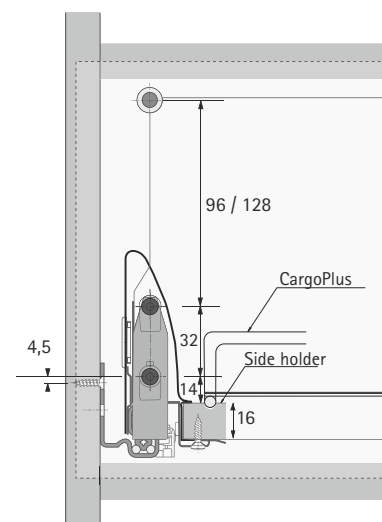
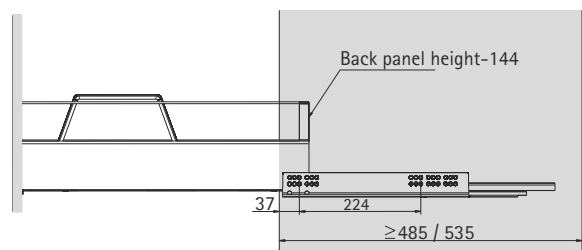
CargoPlus

▶ Thali & plate inlet, height 144 mm



- ▶ Can take upto 16 regular sized plates
- ▶ Can take upto 7 regular sized thalis
- ▶ Less clutter noise as plate touches inlet at two places
- ▶ Recommended shutter height ≥ 360 mm
- ▶ Order InnoTech separately
- ▶ Only for EB 9.5

Planning dimensions



Carcase external width mm
(for side panel thickness 18 mm)

Order no. / nominal length in mm PU

900

470 mm 520 mm

9 216 620 9 216 621 3 pc

Advice

For Quadro runner, see page 112 - 114

For installation, see page 61 - 62

Clamp



- Set of 4 pcs to be used to mount CargoPlus
- Stainless Steel, Chrome Plated

Order no.	PU
9 220 250	1 set

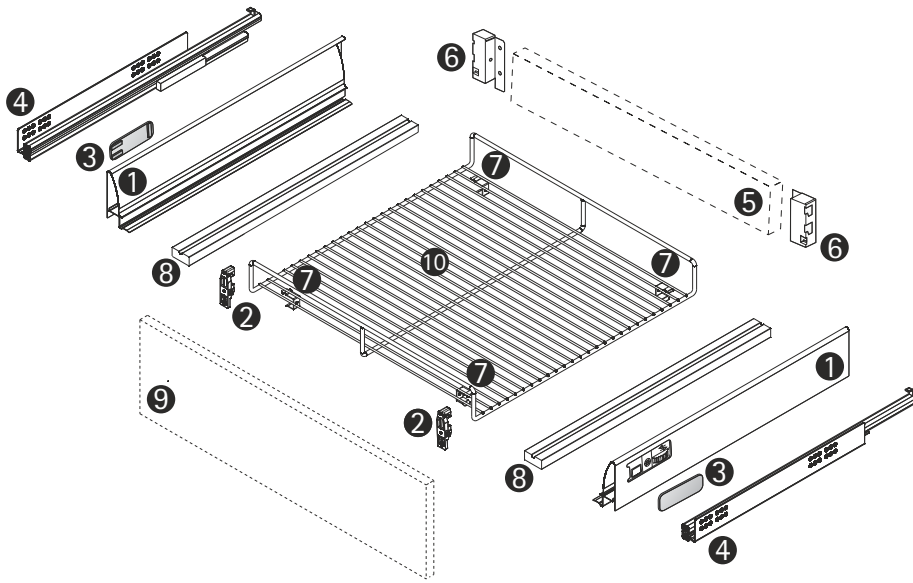
Side holder



- Set of 2 pcs to be used to mount CargoPlus
- Plastic, Silver Grey

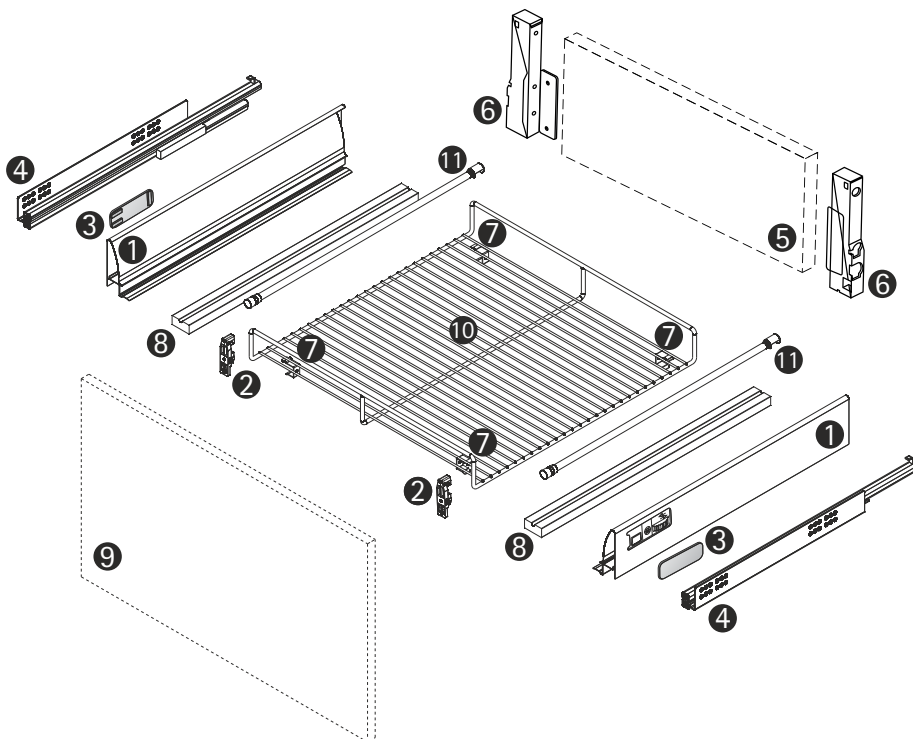
Depth mm	Order no.	PU
470	9 220 552	2 pc
520	9 220 553	2 pc

Components for 70 mm



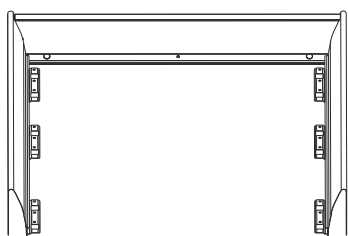
- ❶ Drawer side profile, left and right
- ❷ Drawer front connector for side profile, 2 each
- ❸ Cover cap, 2 each
- ❹ Quadro drawer runner, see page 126 - 128
- ❺ Wooden rear panel
- ❻ Rear panel connector, left and right
- ❼ Clamp, 4 each
- ❽ Side holder, 2 each
- ❾ Front
- ❿ CargoPlus

Components for 144 mm

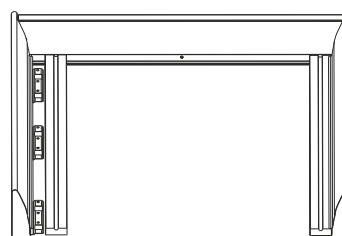


- ❶ Drawer side profile, left and right
- ❷ Drawer front connector for side profile, 2 each
- ❸ Cover cap, 2 each
- ❹ Quadro drawer runner, see page 126 - 128
- ❺ Wooden rear panel
- ❻ Rear panel connector, left and right
- ❼ Clamp, 4 each
- ❽ Side holder, 2 each
- ❾ Front
- ❿ CargoPlus
- ⓫ Lengthwise railing, 2 each

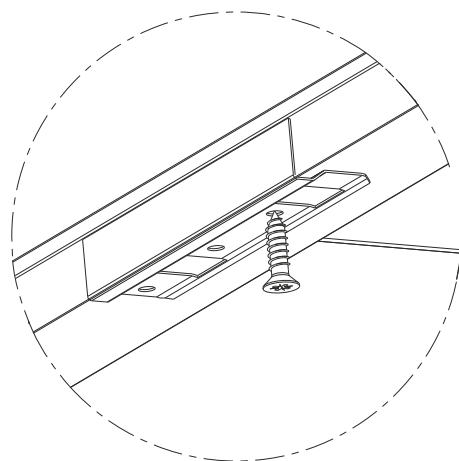
Installation Stages



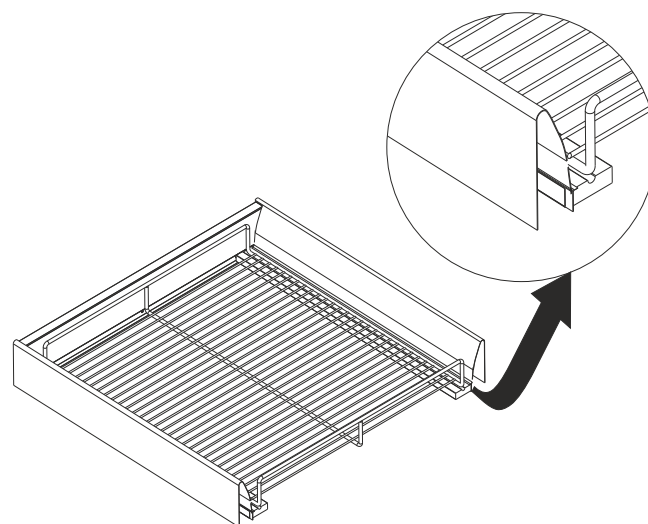
1. Assemble InnoTech with back panel



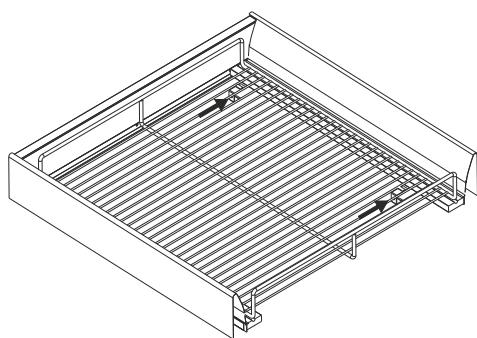
2. Place side holder in InnoTech bottom panel slot



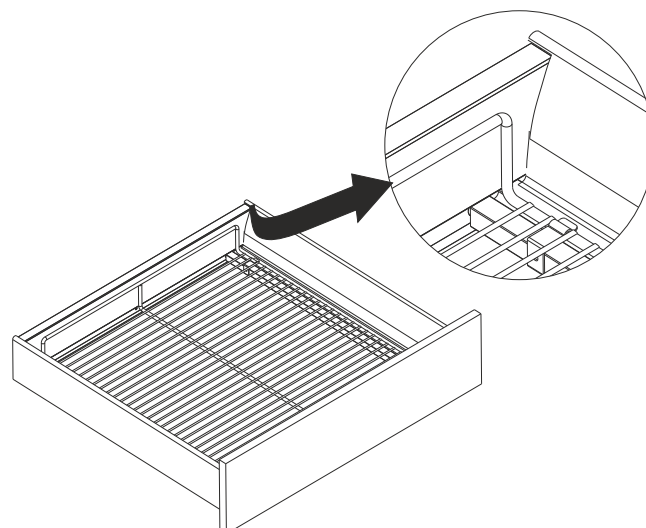
3. Fix side holder with screws from bottom



4. Place CargoPlus in side holder groove



5. Slide clamps to fix CargoPlus to side holders



6. Fix clamp on all four corners as shown in picture

Fitting systems for kitchens



Neat on the outside, clever inside. That's the motto of modern kitchens. Intelligent fitting systems from Hettich let you include innovative functions behind attractive front panels. Also make efficient use of small midway sections, narrow cabinets and inaccessible corner to the benefit of your customers: provide unobstructed, easy access to storage space. The versatile organiser systems can be matched to the user's specific needs. High quality materials and attractive design define the look of first class quality.



Pantry unit



Over head solution



Corner solution



Under sink solution



Mid way unit Interior fittings
Range summary

67



Base unit interior fittings
Range summary

69



Waste collecting systems
Range summary

80



Interior fittings for larder units
Summary

88



Wall unit interior fittings
Range summary

95

Fitting systems for kitchens

- ▶ Base unit interior fittings
- ▶ Range summary



Cargo Midway
67 - 68



Cargo IQ 200
69 - 70



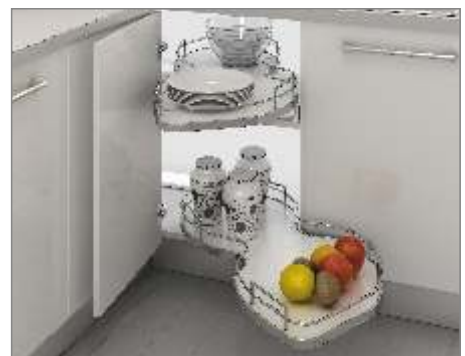
Cargo IQ 300
71 - 72



Spice pull out, 3-tier
73 - 74



Moving corner
75



CargoMan Series
76



Under sink basket
77



Detergent holder
78



Cylinder trolley
79



Round bin holder 200 series
80



Square bin holder
81



Pull out bin holder
82 - 87

Fitting systems for kitchens

- ▶ Tall unit & Wall Unit Interior fittings
- ▶ Range summary



Cargo 500

88



CargoTech M pantry unit

89



CargoPlus pantry unit

90



Cargo Duo

91 - 92



Cargo Larder

93 - 94



Dish drainer set

95



Portable Dish drainer

96



Cargo Fruit & Vegetable Drainer

97



Pull out shelf, depth 250 mm

98



Jar Rack

- ▶ Can be used to keep jars of pickles etc, for easy access
- ▶ Plexi glass base for better holding of material
- ▶ Finish: Chrome Plated
- ▶ 10 year replacement warranty against rust
- ▶ Width 280 mm, Depth 155 mm, Height 260 mm

Finish	Order no.	PU
Chrome plated	9 217 143	1



Multi Purpose Rack, 2-tier

- ▶ Can be used to keep small containers of spices etc
- ▶ Plexi glass base for better holding of material
- ▶ Finish: Chrome Plated
- ▶ 10 year replacement warranty against rust
- ▶ Width 185 mm, Depth 120 mm, Height 325 mm

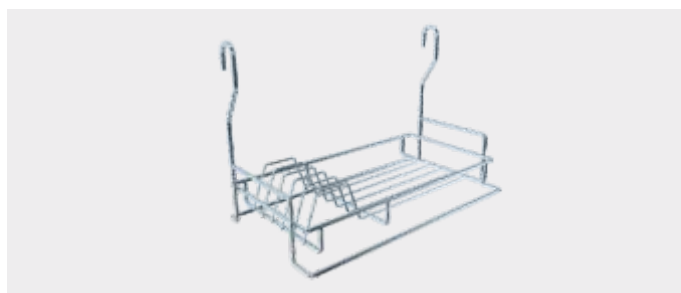
Finish	Order no.	PU
Chrome plated	9 217 145	1



Oil Container Rack

- ▶ Can be used to keep oil, sauce bottles etc
- ▶ Plexi glass base for better holding of material
- ▶ Finish: Chrome Plated
- ▶ 10 year replacement warranty against rust
- ▶ Width 150 mm, Depth 150 mm, Height 325 mm

Finish	Order no.	PU
Chrome plated	9 217 148	1



Saucer Rack

- ▶ Can take upto 6 saucers
- ▶ Finish: Chrome Plated
- ▶ 10 year replacement warranty against rust
- ▶ Width 385 mm, Depth 205 mm, Height 255 mm

Finish	Order no.	PU
Chrome plated	9 217 179	1



Kitchen Roll Holder

- ▶ Can be used to hold kitchen roll, aluminium foil & wrapping roll
- ▶ Finish: Chrome Plated
- ▶ 10 year replacement warranty against rust
- ▶ Width 333 mm, Depth 100 mm, Height 325 mm

Length	Order no.	PU
Chrome plated	9 269 987	1



Railing Set, 600 mm

Set comprises:

- 1 tube (ø16 mm, 600 mm long)
- 2 Wall brackets
- 2 end caps

Order no.	PU
9 267 133	1 set



Railing Set, 900 mm

Set comprises:

- 1 tube (ø16 mm, 900 mm long)
- 2 Wall brackets
- 2 end caps

Order no.	PU
9 267 134	1 set



Railing Set, 1200 mm

Set comprises:

- 1 tube (ø16 mm, 1200 mm long)
- 2 Wall brackets
- 2 end caps

Order no.	PU
9 267 135	1 set



Base unit interior fittings

► Cargo IQ 200



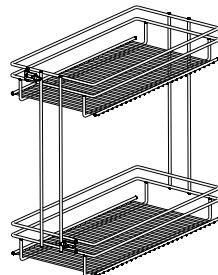
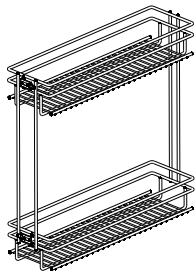
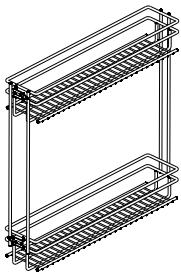
- Convenience of modular concept
- Sturdy stainless steel wire basket structure
- Combines convenience with unmatched running action stability and strength
- Available for three different cabinet widths
- Loading capacity 22.5-30 kg with KA telescopic & 15-20 kg with Quadro runner
- Can be mounted to the right, left or diagonally (200 & 300 only)
- Front panel precise adjustment with fascia parts
- Finish: Chrome plated
- Compatible with 450 mm Quadro & 500 mm KA telescopic runner only
- Order runner & clamps accordingly
- Inclusive of Plastic Bottom

Product details

A) 150 mm

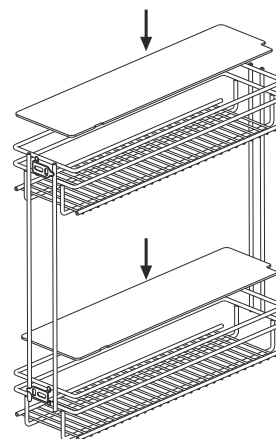
B) 200 mm

C) 300 mm



External carcass width	150 mm	200 mm	300 mm
Weight capacity (with KA)	22.5 kg	26.25 kg	30 kg
Weight capacity (with Quadro)	15 kg	17.5 kg	20 kg
Internal carcass size	W:112 mm D: 495 mm H: 590 mm	W:162 mm D: 495 mm H: 590 mm	W:262 mm D: 495 mm H: 590 mm

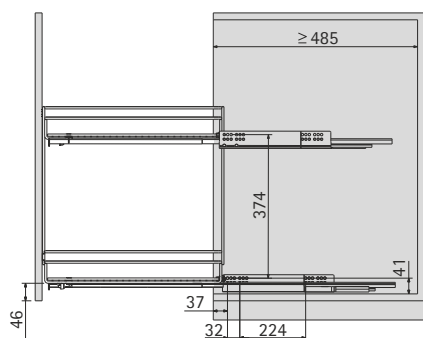
Plastic bottom



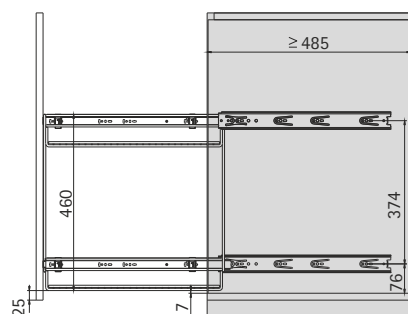
Base unit interior fittings

► Cargo IQ 200

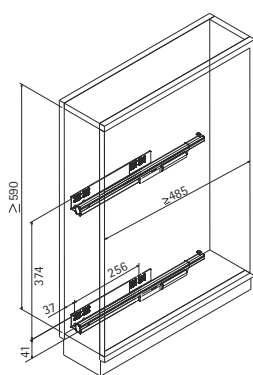
Planning dimensions



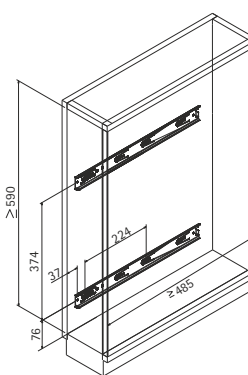
With quadro runner



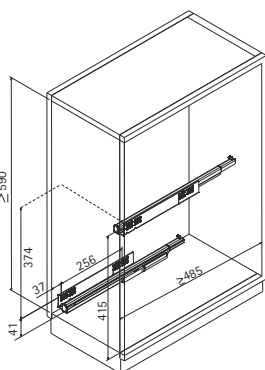
With KA telescopic runner



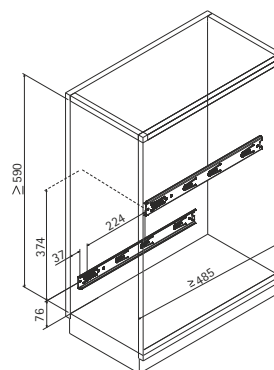
Single side mounting for 150 mm Et 200 mm with quadro runner



Single side mounting for 150 mm Et 200 mm with KA telescopic runner



Diagonal mounting for 200mm Et 300 mm with quadro runner



Diagonal mounting for 200mm Et 300 mm with KA telescopic runner

Article	Article no.	PU
Cargo IQ 200 for carcass size - 150 mm with Plastic bottom for 150 mm	9 161 045	4
Plastic bottom for 150 mm	9 197 059	2
Cargo IQ 200 for carcass size - 200 mm with Plastic bottom for 200 mm	9 161 046	3
Plastic bottom for 200 mm	9 197 060	2
Cargo IQ 200 for carcass size - 300 mm with Plastic bottom for 300 mm	9 161 047	2
Plastic bottom for 300 mm	9 197 131	2

Advice

For Quadro Et KA Telescopic runner, see page 112 - 116

Installation similar to CargoTech basket, see page 34- 35

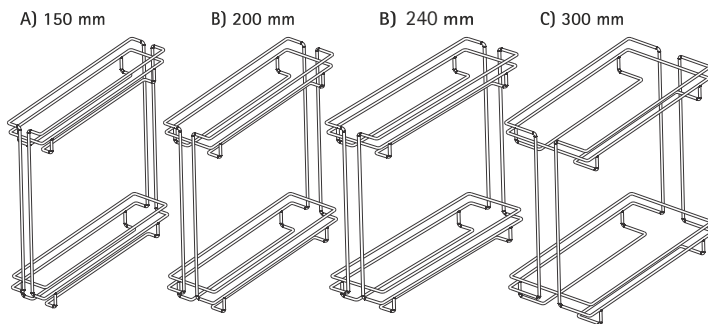
Base unit interior fittings

► Cargo IQ 300



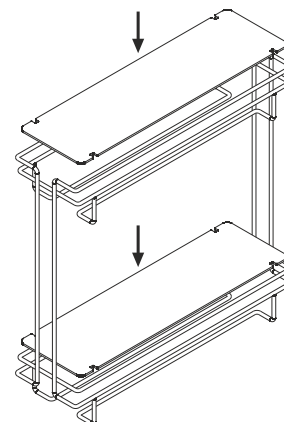
- ▶ Unique sleek solid looking stainless steel wire basket structure, with convenience of modular concept
- ▶ Both layers with plastic bottom makes it visually appealing and sturdy
- ▶ Combines convenience with unmatched running action, stability & strength
- ▶ Available for three different cabinet widths
- ▶ Loading capacity 22.5 to 30 kg with KA telescopic runner
- ▶ Can be mounted to the right, left or diagonally (200 & 300 only)
- ▶ Front panel precise adjustment with fascia parts
- ▶ Finish : Chrome Plated
- ▶ Compatible with 500 mm KA telescopic runner only
- ▶ Order telescopic runner & clamps separately

Product details



Size	150 mm	200 mm	240 mm	300 mm
Weight capacity	22,5 kg	26,25 kg	30 kg	30 kg
Intenal carcass dimension	W:112 mm D: 515 mm H: 590 mm	W:162 mm D: 515 mm H: 590 mm	W: 204 mm D: 515 mm H: 590 mm	W:262 mm D: 515 mm H: 590 mm

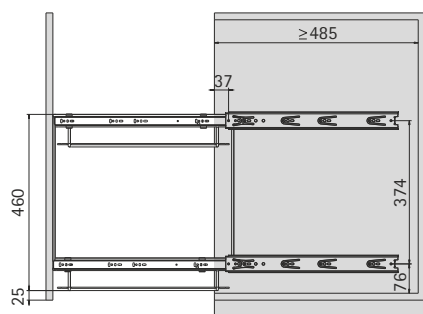
Plastic bottom



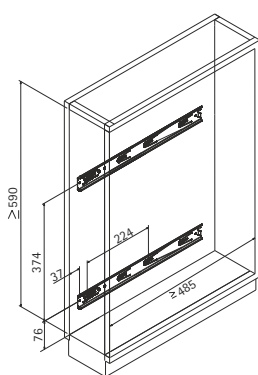
Base unit interior fittings

► Cargo IQ 300

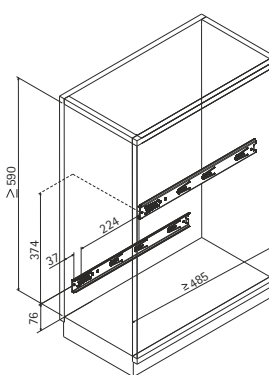
Planning dimensions



With KA telescopic runner



Single side mounting for 150 mm & 200 mm with KA telescopic runner



Diagonal mounting for 200 & 300 mm with KA telescopic runner

Article	Order no.	PU
Cargo IQ 300 for carcass size- 150 mm	9 191 703	4 pc
Cargo IQ 300 for carcass size- 200 mm	9 191 708	3 pc
Cargo IQ 300 for carcass size- 240 mm	9 247 908	2 pc
Cargo IQ 300 for carcass size- 300 mm	9 191 711	2 pc

Advice

For KA Telescopic runner, see page 115 - 116

Installation similar to CargoTech basket, see page 34- 35

Base unit interior fittings

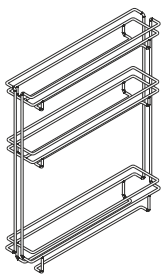
- ▶ Spice pull out
- ▶ 3-tier



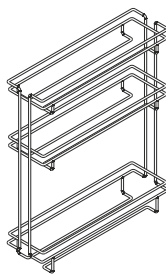
- ▶ Unique sleek solid looking stainless steel wire basket structure, with convenience of modular concept
- ▶ Lowest shelf can accommodate bottles also
- ▶ Combines convenience with unmatched running action, stability & strength
- ▶ All layers with plastic bottom makes it visually appealing and sturdy
- ▶ Available for three different cabinet widths
- ▶ Loading capacity 22.5 to 30 kg with KA telescopic runner
- ▶ Can be mounted to the right, left or diagonally (200 & 300 only)
- ▶ Front panel precise adjustment with fascia parts
- ▶ Finish : Chrome Plated
- ▶ Compatible with 500 mm KA telescopic runner only
- ▶ Order telescopic runner & clamps separately

Product details

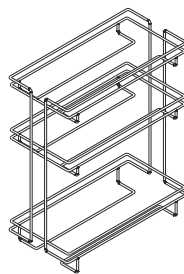
A) 150 mm



B) 200 mm

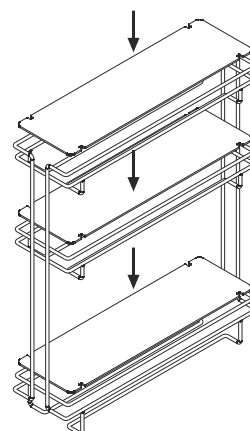


C) 300 mm



Size	150 mm	200 mm	300 mm
Weight capacity (with KA)	22.5 kg	26.25 kg	30 kg
Internal carcass dimension	W:112 mm	W:162 mm	W:262 mm
	D: 515 mm	D: 515 mm	D: 515 mm
	H: 675 mm	H: 675 mm	H: 675 mm

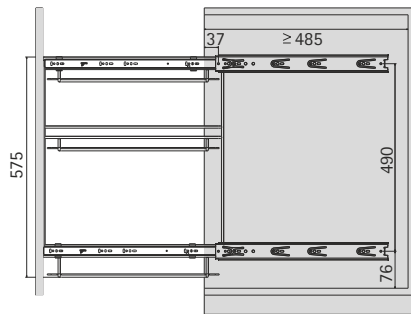
Plastic bottom



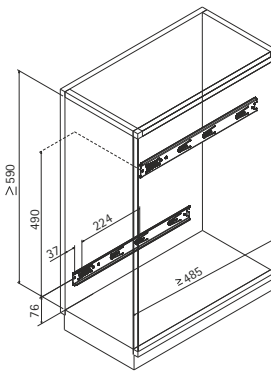
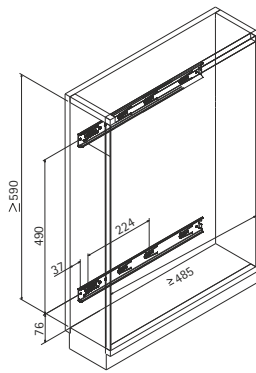
Base unit interior fittings

► Spice pull out

Planning dimensions



With KA telescopic runner



Single side mounting for 150 mm & 200 mm with KA telescopic runner

Diagonal mounting for 200mm & 300 mm with KA telescopic runner

Article	Order no.	PU
Spice pull out for carcass size- 150 mm	9 210 439	4 pc
Spice pull out for carcass size- 200 mm	9 210 441	3 pc
Spice pull out for carcass size- 300 mm	9 210 442	2 pc

Advice

For KA Telescopic runner, see page 115 - 116

Installation similar to CargoTech basket, see page 34 - 35

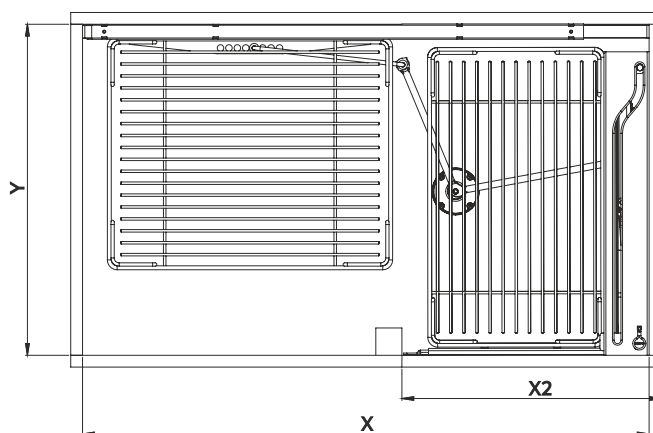
Base unit interior fittings

- ▶ Corner unit
- ▶ Moving corner cargo series



- ▶ Optimum use of space for corner cabinets 900 and 1000 mm wide
- ▶ Integrated silent System soft closure
- ▶ Finish : Chrome Plated
- ▶ Optional plastic bottom for baskets

Product details



> <	X	X2	Y
900	810-1100	450-500	470
			505

Article	Order no	PU
Moving corner cargo series left	9 221 244	1 set
Moving corner cargo series right	9 221 243	1 set
Basket	9 221 242	1 set

Base unit interior fittings Corner unit

- ▶ Corner unit
- ▶ CargoMan Regular, CargoMan Soft Close, & CargoMan M

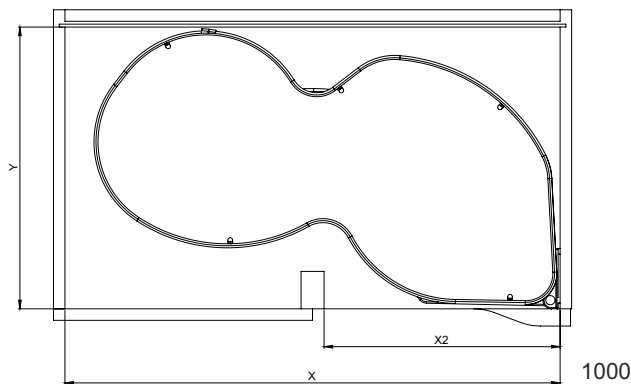
Features



- ▶ 2 variant CargoMan Regular & CargoMan Soft Close System & Pull Out mechanism of European Origin
- ▶ Pull-out shelves for corner cabinet
- ▶ The shelves can be swivelled out individually and completely
- ▶ Load capacity 20 kg / shelf
- ▶ Minimum inside carcass depth 490 mm
- ▶ With fast assembly system
- ▶ Two melaminated bottom shelves with anti-slip surface and chrome-plated rail
- ▶ Can be used in odd or even numbers, as flexibility to use single units
- ▶ No extra attachment required to install
- ▶ Installation very simple on the bottom of the cabinet
- ▶ Right and left version



Product details



CargoMan

>□<	X	X2	Y	Z
900	862	450	490	150
1000	962	500	490	150
1000	962	600	490	150

CargoMan M

>□<	X	X2	Y	Z
900	862	450	490	150
1000	962	500	490	150

Z = Minimum internal cabinet height for one layer

S.no.	Description	Article no. (Regular)	Article no. (Soft Close)	PU
1.	450 LH (Double layer)	9 161 971	9 218 025	1
2.	450 RH (Double layer)	9 161 972	9 218 026	1
3.	500 LH (Double layer)	9 161 973	9 218 027	1
4.	500 RH (Double layer)	9 161 974	9 218 028	1

		Article no.	PU
1.	CargoMan M corner pull out 450 LH (Double layer)	9 218 021	1
2.	CargoMan M corner pull out 450 RH (Double layer)	9 218 022	1
3.	CargoMan M corner pull out 500 LH (Double layer)	9 218 023	1
4.	CargoMan M corner pull out 500 RH (Double layer)	9 218 024	1

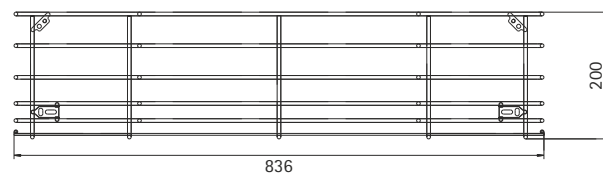
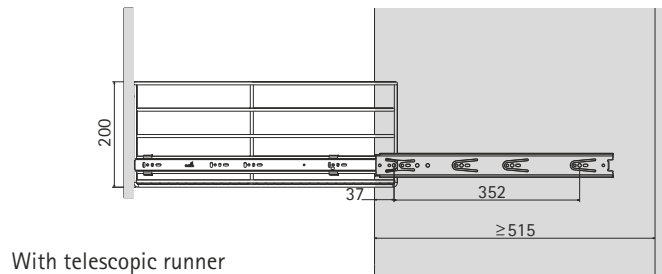
Base unit interior fittings

- ▶ Sink unit equipment
- ▶ Under sink basket



- ▶ For utilizing optimum space under the sink, to store detergents / cleaners etc
- ▶ Combines convenience with unmatched running action, stability & strength
- ▶ Available for 900 mm cabinet width
- ▶ Compatible with KA telescopic runners only, thus load capacity up to 45 Kg
- ▶ Sturdy stainless steel wire basket structure
- ▶ Recommended shutter height ≥ 360 mm
- ▶ Front panel precise adjustment with fascia parts
- ▶ Finish: Chrome Plated
- ▶ Order KA telescopic runner & clamps separately

Planning dimensions



Carcase external width mm (for side panel thickness 18 mm)

900

Order no

9 190 451

PU

1 pc

Advice

For KA Telescopic runner, see page 115 - 116

Installation similar to CargoTech basket, see page 34 - 35

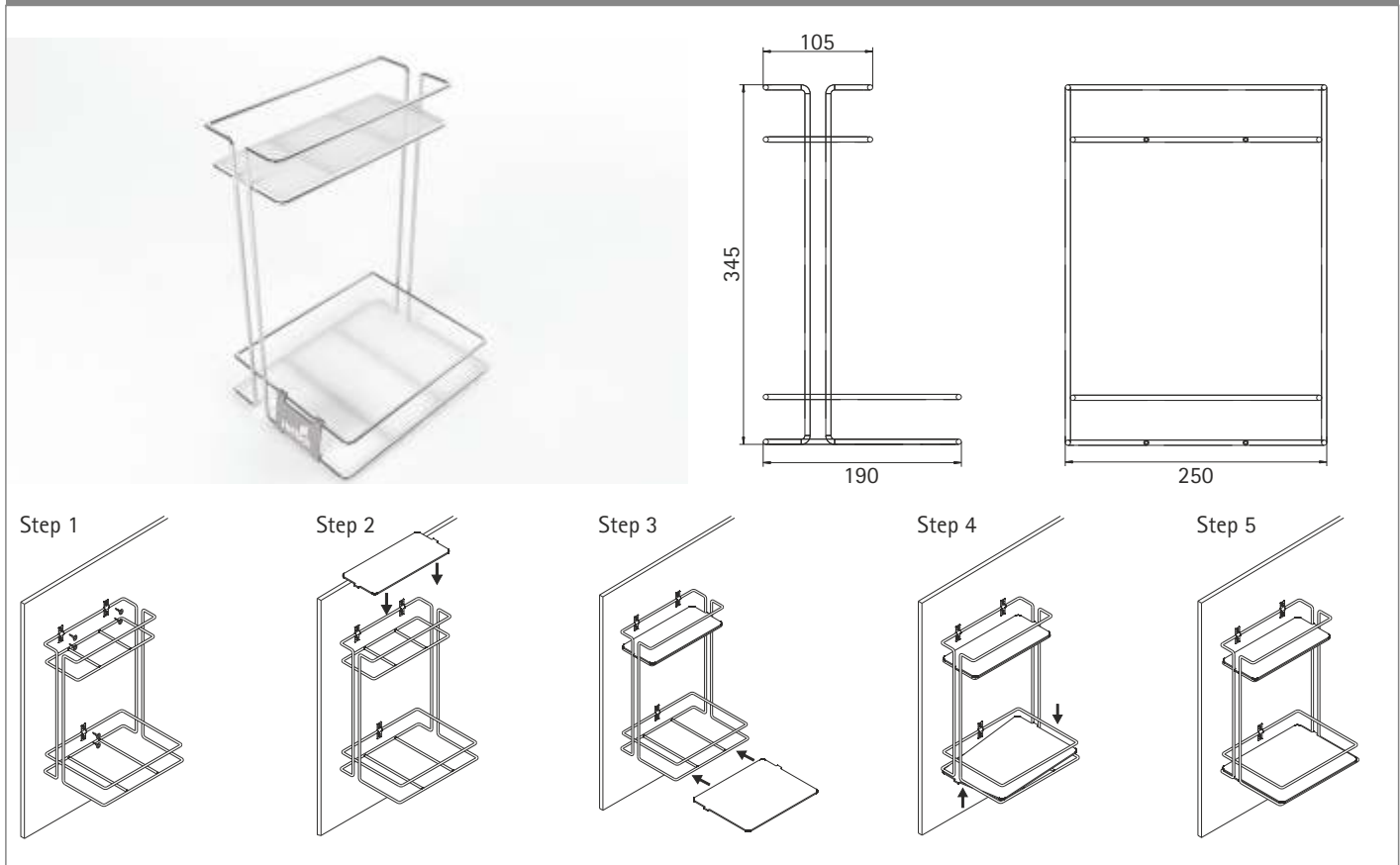
Base unit interior fittings

- ▶ Sink unit equipment
- ▶ Detergent holder



- ▶ Lightweight but sturdy structure, as made of thick wire
- ▶ Unique plastic bottom to avoid spillages and any damages to wire due to detergents / chemicals kept
- ▶ Material kept more stable as plastic bottom plain surface compared to wire mesh
- ▶ Bigger shelves to accommodate various bottle sizes
- ▶ Easy installation, with fixing at only three points
- ▶ Recommended shutter width 450 mm
- ▶ Finish: Chrome Plated
- ▶ 5 years warranty against rusting

Planning dimensions



Article	Order no	PU
Detergent holder	9 197 058	1 pc

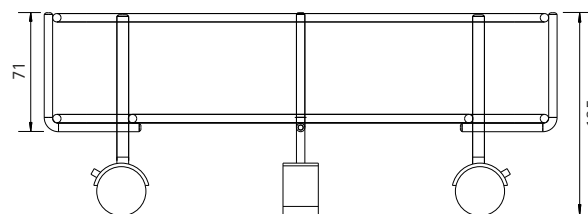
Base unit interior fittings

► Cylinder trolley



- Smooth motion with castors
- Locking mechanism in two castors, for stability
- Can easily take load of filled gas cylinder
- Low height for easy loading of cylinder
- Finish: Chrome Plated

Planning dimensions



Article	Order no	PU
Cylinder Trolley	9 210 445	1 pc

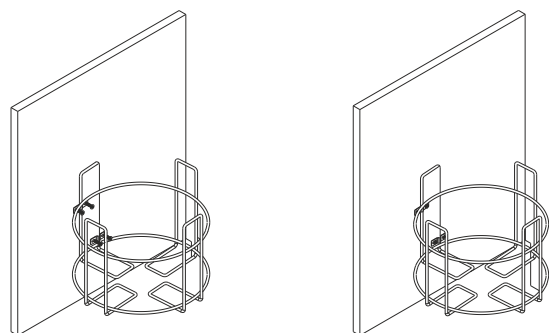
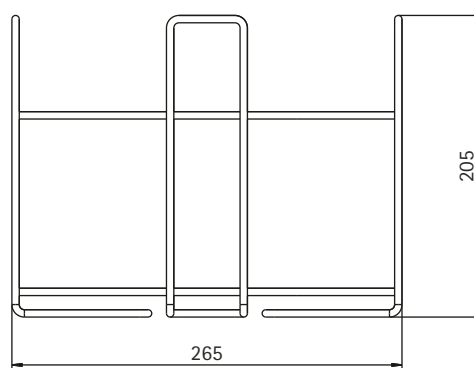
Fitting systems for kitchens

- ▶ Waste collecting systems
- ▶ Round bin holder 200 series



- ▶ Light weight but sturdy structure, as made of thick wire
- ▶ Easy installation, with fixing at only two points
- ▶ Disposable bags can be hung inside the frame directly
- ▶ Recommended shutter width 450 mm
- ▶ Finish: Chrome Plated

Planning dimensions



Article	Order no	PU
Round bin holder 200 series	9 210 444	1 pc

Cargo Waste Bin Series

► Square Bin Holder



Features



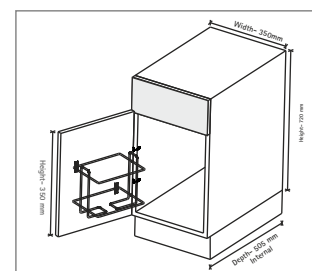
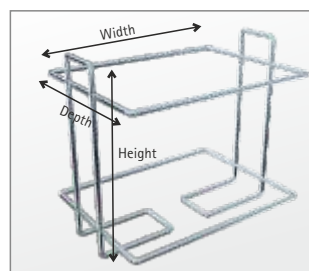
- Light weight but sturdy structure, as made of thick wire
- Major contribution in green environment management
- Finish : Chrome Plated

Technical Details

- Min required cabinet width- 350 mm
- Min. internal cabinet depth- 505 mm
- Preferable to use with Hinges 95°
- Bin capacity - 8 L
- Easy installation, with fixing at only two points

Note

- Lid is available in green Et grey finish



Square Bin Holder with fascia



Description	Width x depth x height mm	Order no.	PU
Square Bin Holder	235 x 170x 205	9 269 984	1 Pc
8L Bin	152 x 225x 295	9 132 377	1 Pc
8L Lid (Grey)	152 x 225x 21	9 132 384	1 Pc
8L Lid (Green)	152 x 225x 21	9 132 382	1 Pc

Cargo Waste Bin Series

▶ Pull-Out Bin Holder W300 (Universal bin holder)



10 years replacement warranty against rusting

Features



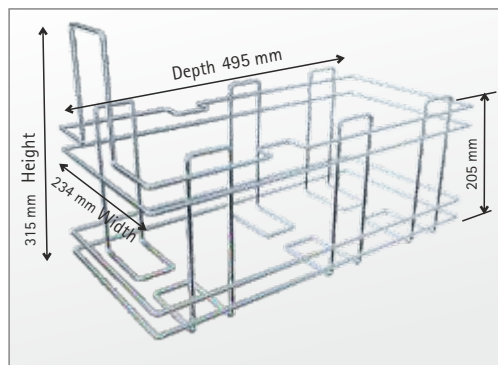
- ▶ Major contribution in green environment management
- ▶ Handle to pull out bin holder (Without shutter)
- ▶ Can be mounted with KA channels either on left or right side of the cabinet
- ▶ Finish : Chrome Plated

Technical Details

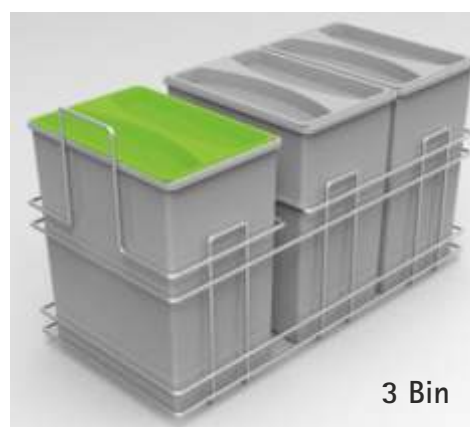
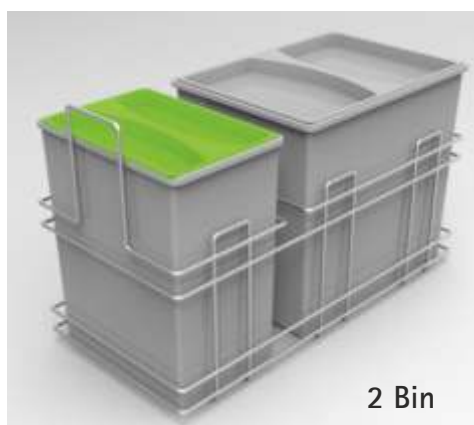
- ▶ Min. cabinet Width- 300 mm
- ▶ Min. internal cabinet depth- 505 mm
- ▶ Min. internal cabinet Height- 350 mm
- ▶ Bin capacity 3 Bins- 3x 8L (24L)
- ▶ Bin capacity 2 Bins- 1x 17L Et 1x 8L (25L)
- ▶ Front panel precise adjustment with fascia part
- ▶ Compatible with 500 mm KA telescopic runner only

Note

- ▶ Order bins & lids separately (refer page: 87)
- ▶ Order telescopic runner & clamps separately



Product details:



Description	Width x depth x height mm	Order no.	PU
Cargo Pull-Out Bin Holder W300	234 x 495 x 315	9 269 986	1 Pc

Cargo Waste Bin Series

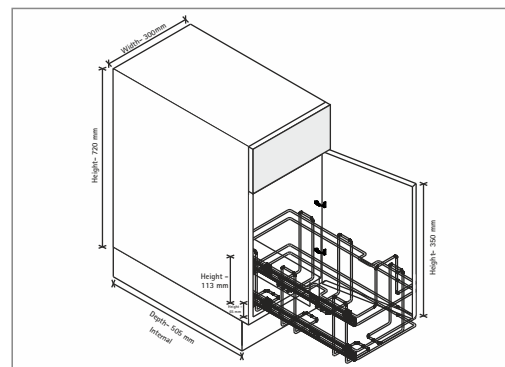
► Pull-Out Bin Holder W300 Mounting Options



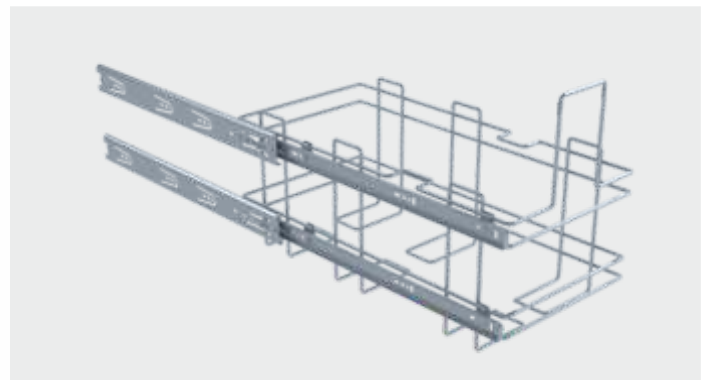
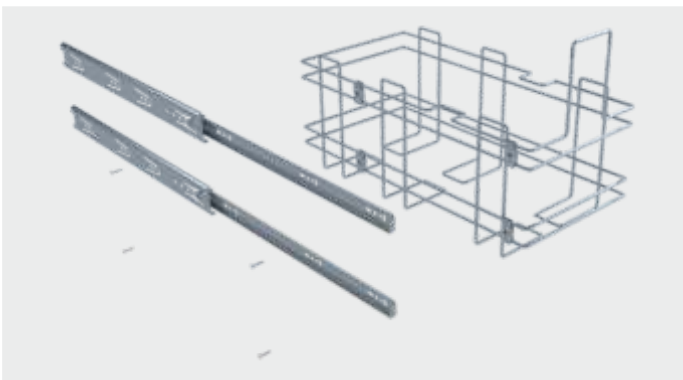
Mounting Option



► Bin Holder W300 with same side KA with Hinged Door



Waste bin W300 with KA one side mounted



Cargo Waste Bin Series

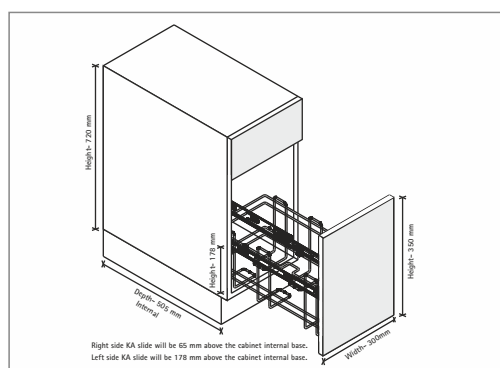
► Pull-Out Bin Holder W300 Mounting Options



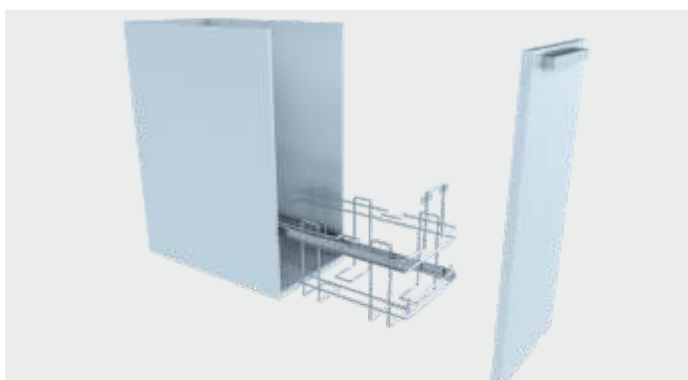
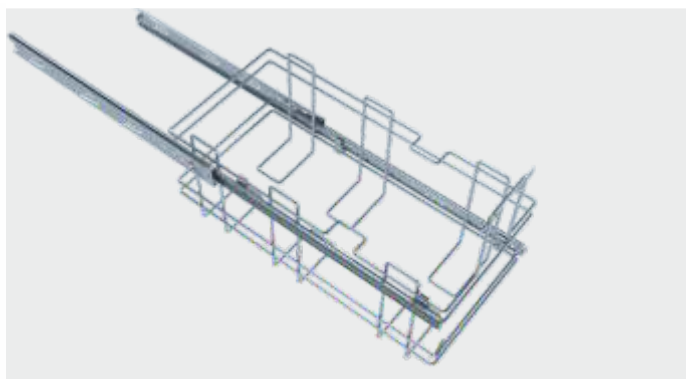
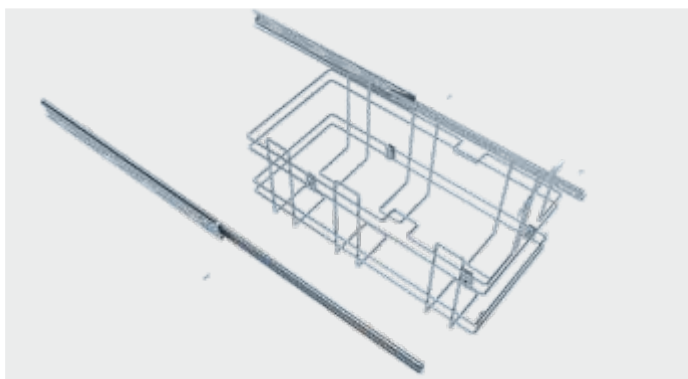
Mounting Option



► Bin Holder W300 with both side KA with shutter



Waste bin W300 with diagonal KA and fascia



Cargo Waste Bin Series

► Pull-Out Bin Holder W600 (Below Sink)



Features



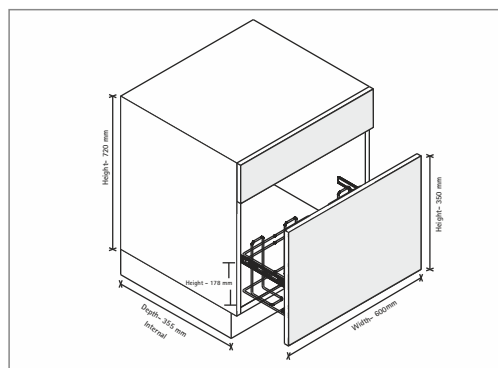
- For utilizing optimum space under the sink
- Major contribution in green environment management
- Finish : Chrome Plated

Technical Details

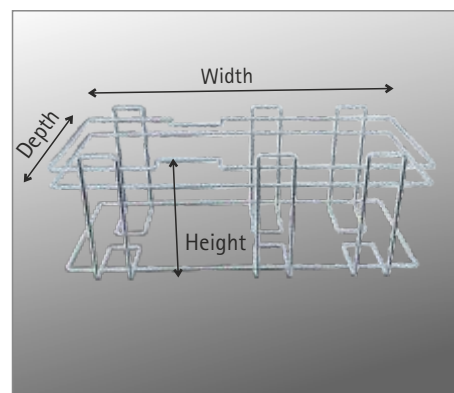
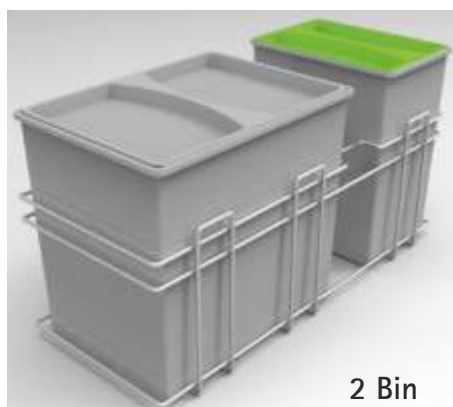
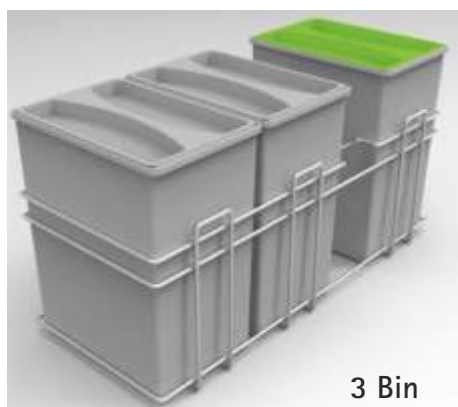
- Min. cabinet Width- 600 mm
- Min. internal cabinet depth- 355 mm
- Min. internal cabinet height - 350 mm
- Bin capacity 3 Bins- 3x 8L (24L)
- Bin capacity 2 Bins- 1x 17L & 1x 8L (25L)
- Compatible with 350 mm KA telescopic runner only
- Front panel precise adjustment with fascia part

Note:

- Order bins & lids separately (refer page: 87)
- Order telescopic runner & clamps separately



Product details:



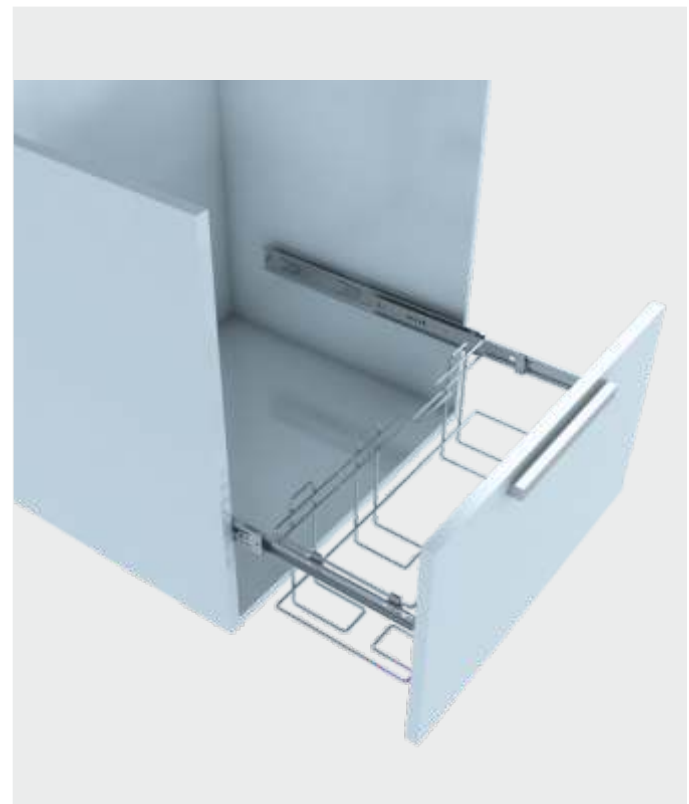
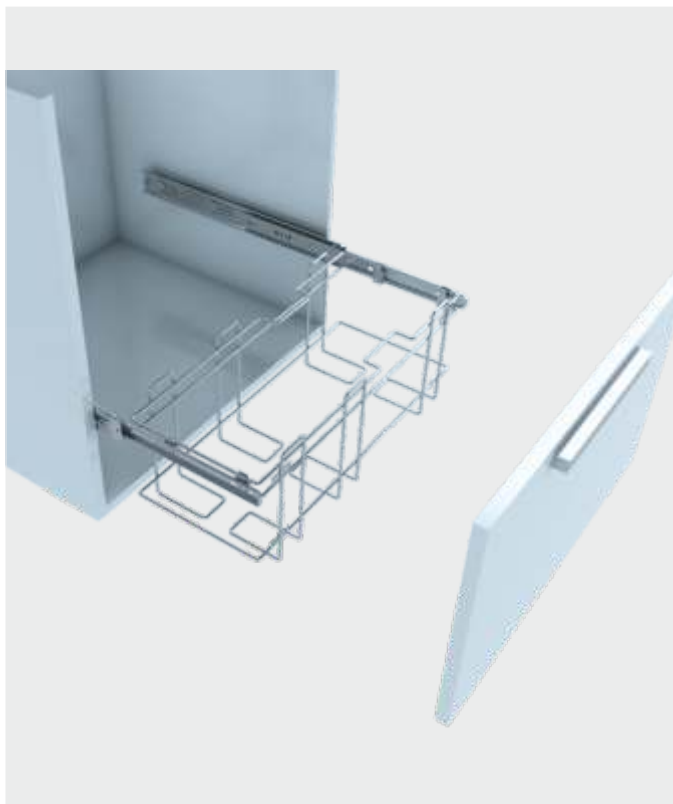
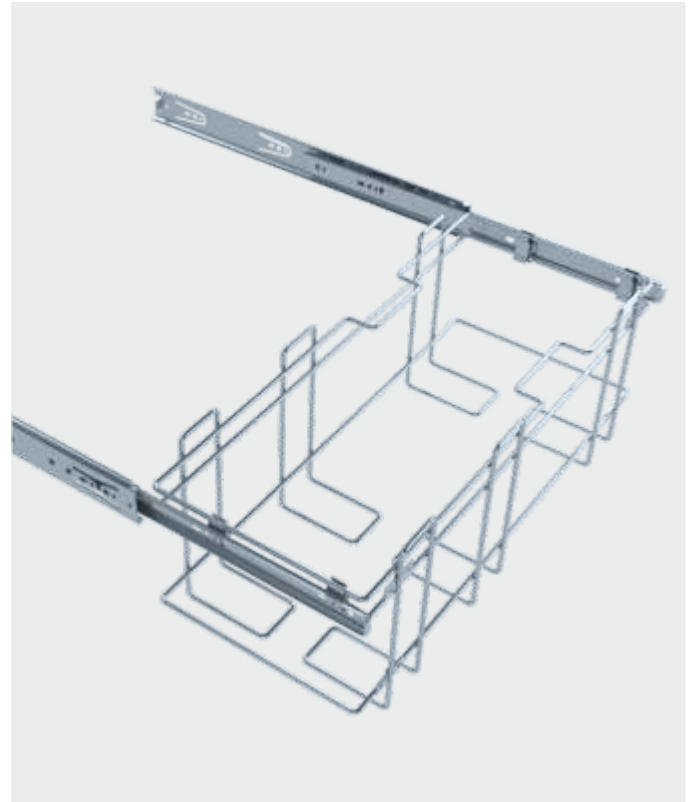
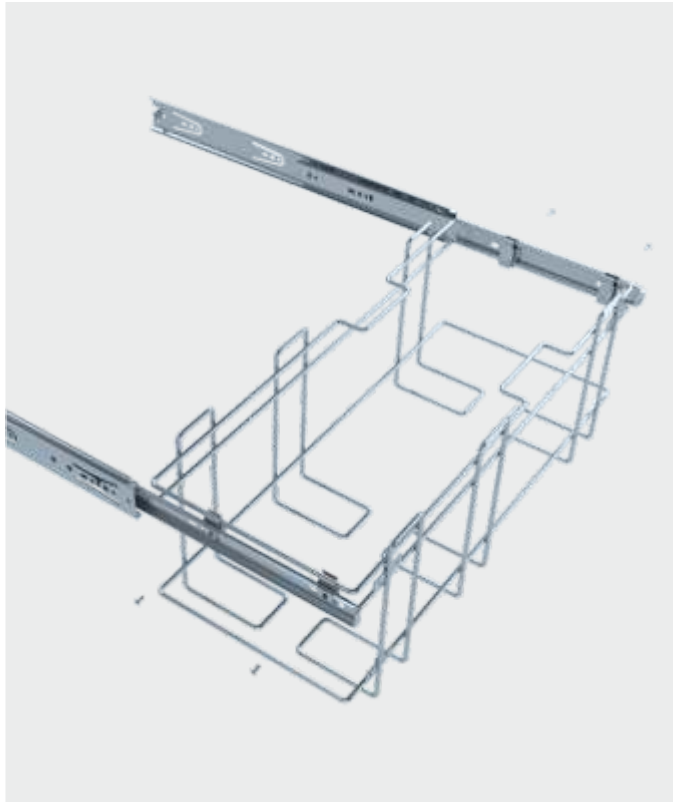
Description	Width x depth x height mm	Order no.	PU
Cargo Pull-Out Bin Holder W600 (Below Sink)	536 x 225 x 205	9 269 985	1 Pc

Cargo Waste Bin Series

► Pull-Out Bin Holder W600 Installations

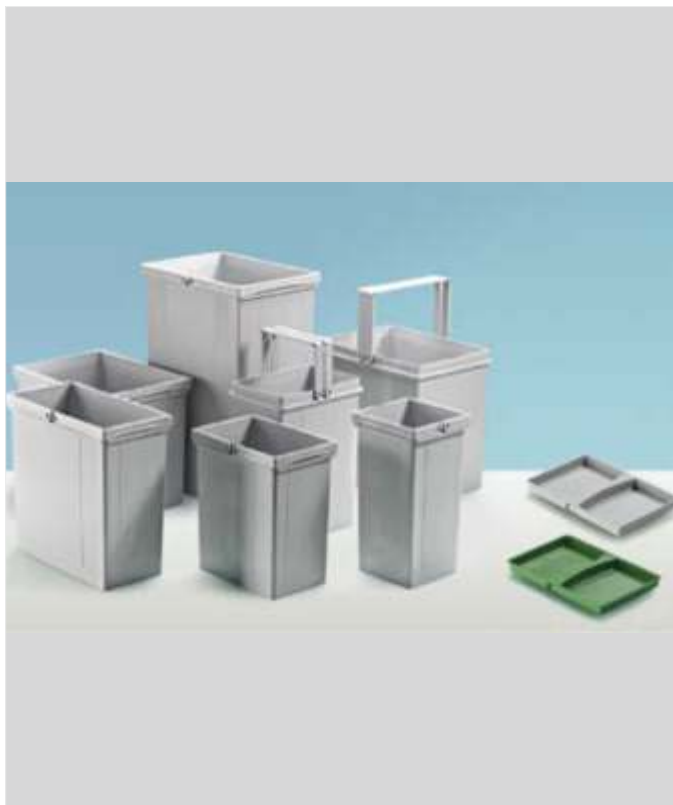


Waste bin W600 with 350 mm KA and fascia



Cargo Waste Bin Series

► Bin & Lid Details



- Plastic bin with sturdy double handle
- As standard, all bins are supplied without lid
- Lids must be ordered separately, see below
- The lid heights specified below are total dimensions, the additional height for all lids is 2 mm
- Colour
 - Bin: Grey
 - Lid: Grey & Green
- Bin Capacity : 8L & 17 L

Bin

Description	Material / Finish	Width mm	Depth mm	Height mm	Order no.	PU
Bin 8L	Plastic/grey	152	225	295	9 132 377	1 ea.
Bin 17L	Plastic/grey	225	304	295	9 132 380	1 ea.

Lid

Description	Material / Finish	Width mm	Depth mm	Height mm	Order no.	PU
Lid 8L	Plastic/green	152	225	21	9 132 382	1 ea.
Lid 8L	Plastic/grey	225	304	21	9 132 384	1 ea.
Lid 17L	Plastic/grey	225	304	21	9 132 386	1 ea.

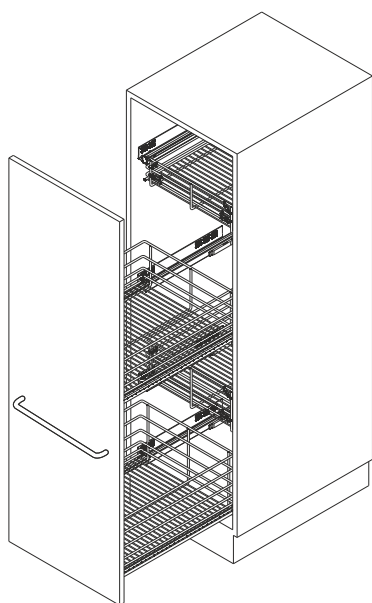
Interior fittings for tall units

► Cargo 500

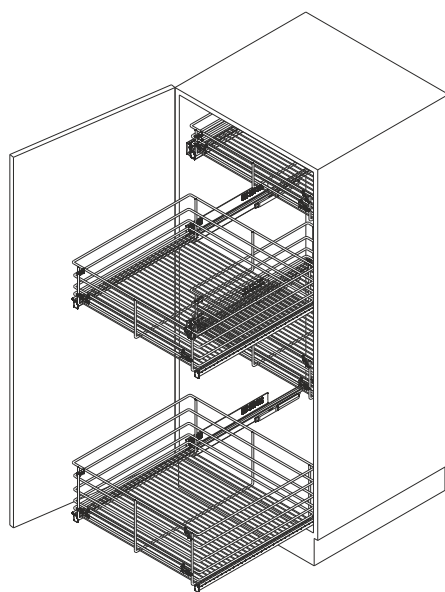


- Convenience of modular concept
- Combines convenience with unmatched running action stability and strength
- Compatible with Quadro runners and KA telescopic runners
- Comfortably takes uniformly distributed weight of up to 250 kg
- Can be installed in any standard size drawer cabinet
- Options to use in different heights with minimum 2 to maximum 6 CargoTechs
- Larger width unit can be made with openable shutter
- Optional plastic bottom for baskets

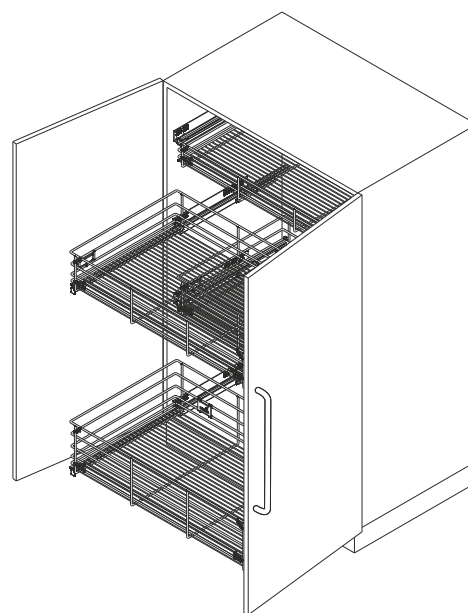
Example application



For carcass width 450 mm



For carcass width 600 mm



For carcass width 900 mm

Advice

For ordering CargoTech, see page 21

Installation similar to CargoTech basket, see page 34 - 35

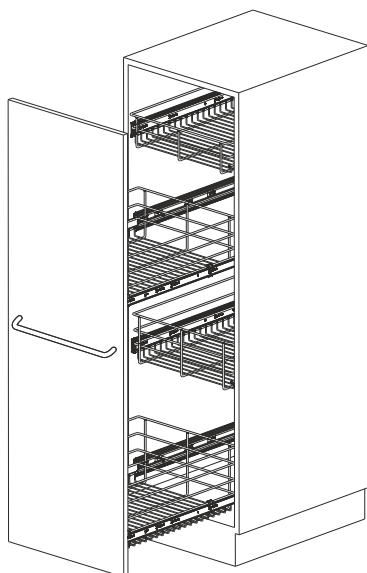
Interior fittings for tall units

► CargoTech M larder unit

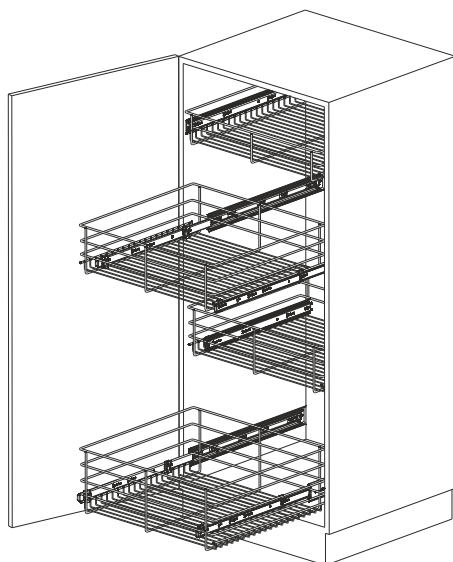


- Convenience of modular concept
- Combines convenience with unmatched running action stability and strength
- Compatible with KA telescopic runners
- Comfortably takes uniformly distributed weight of up to 250 kg
- Can be installed in any standard size drawer cabinet
- Options to use in different heights with minimum 2 to maximum 6 CargoTechs M
- Larger width unit can be made with openable shutter
- Optional plastic bottom for baskets

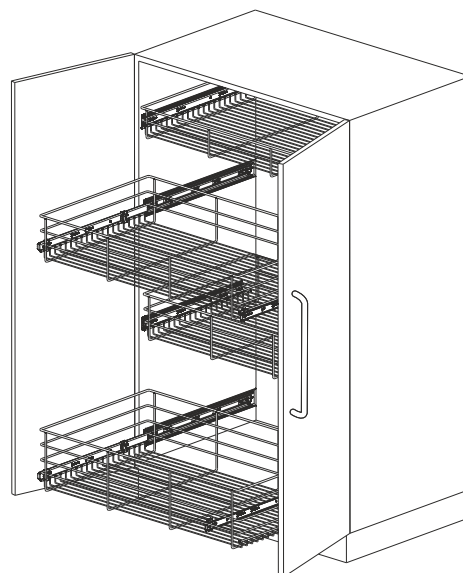
Example application



For carcase width 450 mm



For carcase width 600 mm



For carcase width 900 mm

Advice

For ordering CargoTech M, see page 38

Installation similar to CargoTech M basket, see page 49 - 50

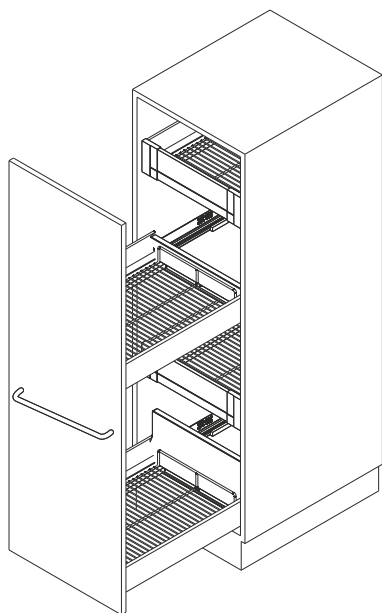
Interior fittings for tall units

► CargoPlus larder unit

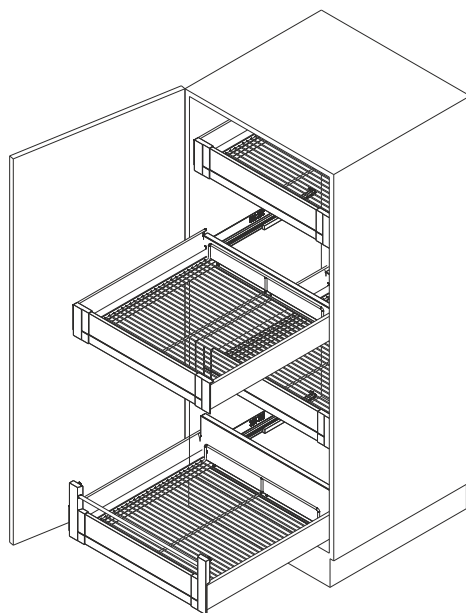


- For individual carcass heights and widths
- Optimum use of storage space
- Recommended carcass widths: 450 - 900 mm, with 2 hinged doors for carcasses wider than 600 mm
- Recommended hinge: Sensys 8657i fast assembly concealed hinge
- Other configurations are also possible
- Optional plastic bottom for baskets

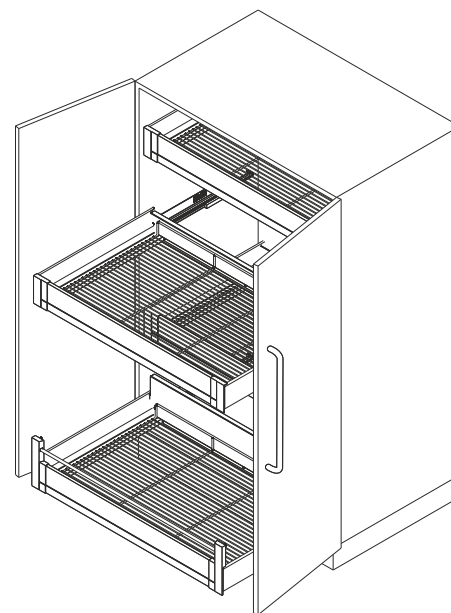
Example application



For carcass width 450 mm



For carcass width 600 mm



For carcass width 900 mm

Advice

For ordering CargoPlus, see page 52

Installation similar to CargoPlus basket, see page 61 - 62

Cargo Duo

Features



- ▶ Soft Close System & Pull Out mechanism of European Origin
- ▶ Swivelling Pull out equipped column mechanism (reversible) with 8 or 12 wire bottom baskets
- ▶ Pull out shelf is pulled outward when door is opened
- ▶ As weight of the frame is all down to the bottom cabinet, no sagging or influence of weight on hinges
- ▶ Door & pull out shelf ensure full use of enormous space available
- ▶ Can be used as left hand & right hand unit
- ▶ Can also be used for 2 door units (900 or 1200mm) without central panel
- ▶ Cabinet width 450 & 600mm
- ▶ Use 110° OR 165° hinges, for easy access
- ▶ Load capacity 50 Kg
- ▶ Minimum internal carcass depth 500mm
- ▶ Powder coated frame grey

Set Comprises:

- ▶ Mechanism (which contains back frame, front frame & mechanism)
- ▶ Cargo Duo Basket Set (Door & Cabinet basket) as per no. of layers

(Each item as above to be ordered separately)

For outer cabinet width (mm)	For inside carcass width (mm)	Min. inside carcass height (mm)	Article no. for Mechanism	PU
450	410	1215 4-tier	9 236 364	1
450	410	1800 6-tier	9 236 366	1
600	560	1215 4-tier	9 236 365	1
600	560	1800 6-tier	9 236 367	1

Stainless steel Pull out baskets & Door shelf baskets



Stainless steel pull out baskets

- ▶ For hook assembly in the pull-out frame
- ▶ Chrome-plated Stainless steel basket
- ▶ 10 years free replacement warranty against rusting



Stainless steel door shelf baskets

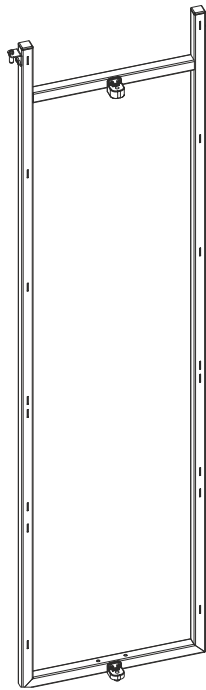
- ▶ For hook assembly in the door frame
- ▶ Chrome-plated Stainless steel basket
- ▶ 10 years free replacement warranty against rusting

For width (mm)	Stainless steel pull out basket (W x D x H) mm	Stainless steel door shelf basket (W x D x H) mm	Article no.	PU
450	360 x 220 x 90	335 x 110 x 90	9 235 979	1set
600	510 x 220 x 90	485 x 110 x 90	9 235 980	1set

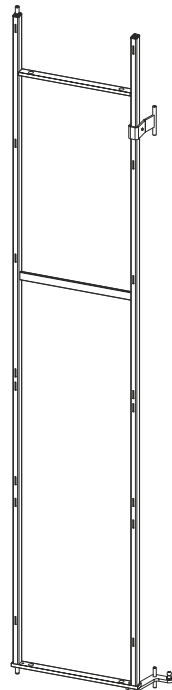
Note:

Ordering Example: For 450 mm Carcase width & 1800 mm height (6 layers),
Order Mechanism Article no. 9 236 366 (1 set) & Basket / Shelf Article no. 9 235 979 (6 sets).

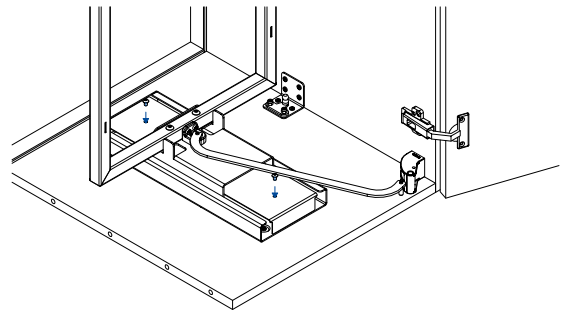
Product details



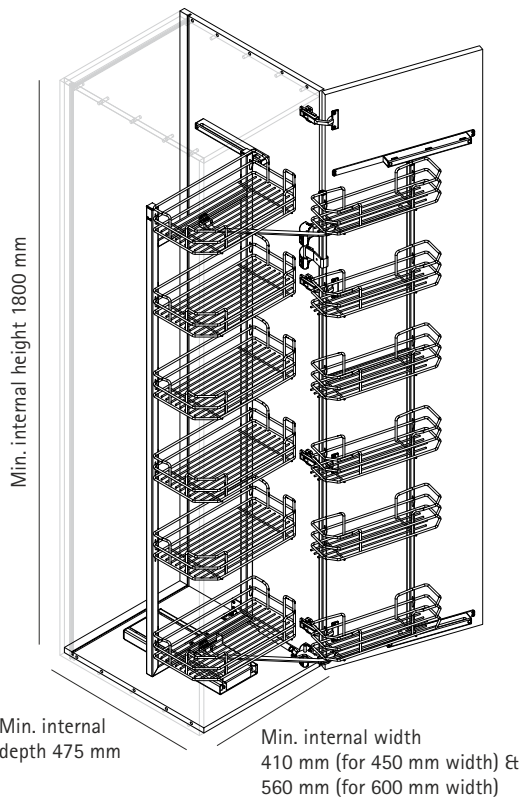
Back frame



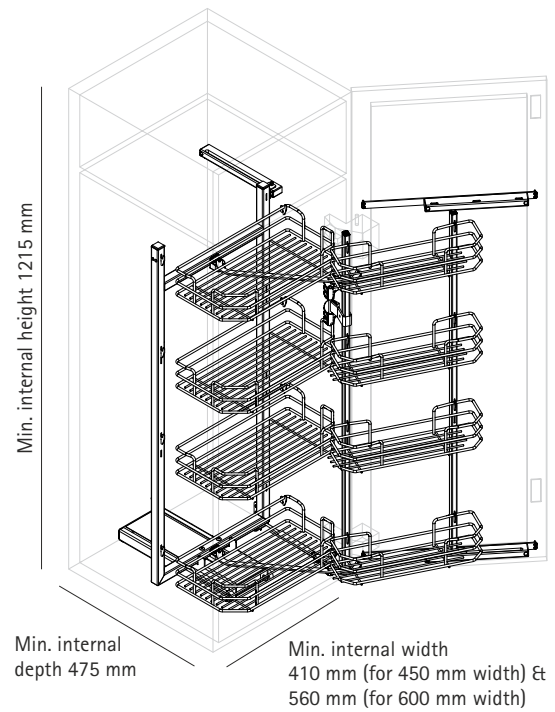
Front frame



Mechanism



Type- 6 tier



Type- 4 tier

Cargo Larder

Features



- ▶ Larder with Integrated Silent System mechanism of European Origin
- ▶ Top runner is on ball bearing, thus very stable
- ▶ 100,000 cycles tested
- ▶ 3D adjustable for fascia with the screws
- ▶ Eccentric screw to adjust the door height
- ▶ Baskets secured to the door with double clips
- ▶ Telescopic adjustable frame
- ▶ Powder coated frame grey

Center upright

- ▶ Complete with Silent System
- ▶ 300 mm height adjustable
- ▶ Suitable for cabinet widths 300, 400 & 450mm
- ▶ Minimum inside carcass depth 505 mm
- ▶ Pull out system with baskets / shelves must be ordered separately
- ▶ Powder-coated steel, silver

Set Comprises:

- ▶ Cargo Larder Mechanism (1 kit)
- ▶ Cargo Larder Frame (1 pc)
- ▶ Cargo Larder Basket Holders (1 set per layer)
- ▶ Cargo Larder Baskets (qty as per no. of layers)

(Each item as above to be ordered separately)

Full extension runner mechanism & basket



Full extension runner

- ▶ Full extension slides kit for Cargo Larder with soft closing and door brackets -120 kg (6 layers) & 80 kg (5 layers) load capacity

Carcass outer width (mm)	PU	Article no. 80kg / 5 layers	Article no. 120kg / 6 layers
300	1Kit	9 236 381	9 236 386
400	1Kit	9 236 382	9 236 387
450	1Kit	9 236 383	9 236 388



Stainless steel baskets

- ▶ For hook in assembly in the center upright
- ▶ With double railing
- ▶ Chrome-plated Stainless steel basket
- ▶ 10 years free replacement warranty against rusting

For width (mm)	W x D x H (mm)	Article no.	PU
300	230 x 435 x 115	9 235 981	1
400	330 x 435 x 115	9 235 982	1
450	380 x 435 x 115	9 235 983	1



Basket Holders

- ▶ For connecting baskets to the frame, one set required for each layer of basket

Basket Holders	Article no.	PU
Cargo Larder Basket Holders	9 236 391	1set

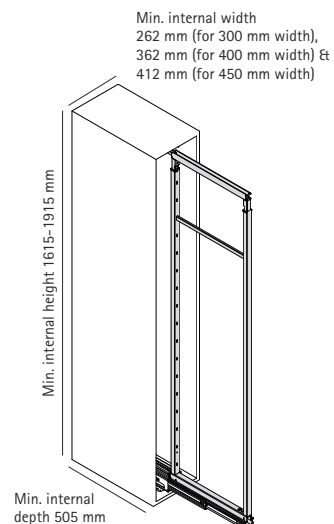
Cargo Larder

► Frame

For Inside carcass height 1615 -1915 mm (for 5 layers)



- Minimum inside carcass depth 505 mm
- No. of baskets - 5
- Powder-coated steel, silver

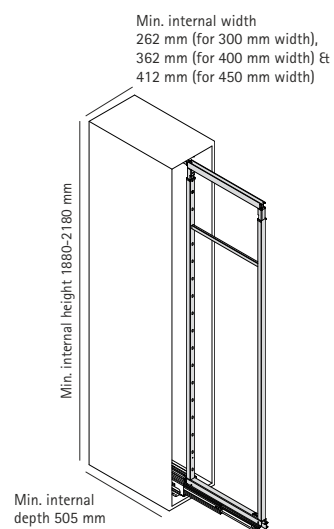


Min. inside carcass width (mm)	Carcass outer width (mm)	Article no.	PU
262	300	9 236 379	1
362	400	9 236 379	1
412	450	9 236 379	1

For Inside carcass height 1880 -2180 mm (for 6 layers)



- Minimum inside carcass depth 505 mm
- No. of baskets - 6
- Powder-coated steel, silver



Min. inside carcass width (mm)	Carcass outer width (mm)	Article no.	PU
262	300	9 236 380	1
362	400	9 236 380	1
412	450	9 236 380	1

Note:

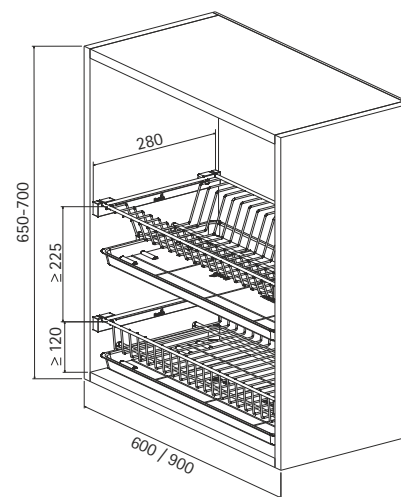
Ordering Example: For 450 mm Carcass width & 1615-1915 mm height / 80 kg (5 layers), Order Full extension runner Article no. 9 236 383 (1 kit), Frame Article no. 9 236 379 (1 pc), Basket Article no. 9 235 983 (5 nos.), Basket Holders Article no. 9 236 391 (5 set).

Wall unit interior fittings

▶ Dish drainer set



- ▶ Combines convenience with unmatched stability & strength
- ▶ Sturdy stainless steel wire basket structure
- ▶ Available for two different cabinets width 600 mm & 900 mm
- ▶ Unique PVC collecting tray
- ▶ 600 mm can take 6 thali / 8 plates
- ▶ 900 mm can take 9 thali / 15 plates
- ▶ Can be mounted very easily
- ▶ Finish: Chrome Plated



Planning dimensions



Set Comprises:

- ▶ Two draining racks for drying / storing of thali / plate / utensils / crockery, One Collecting Tray

Size (in mm)	600			900		
	Width	Depth	Height	Width	Depth	Height
Dish Drainer	555	262	123	855	262	123
Cutlery Drainer	555	262	103	855	262	103
Size (in mm)	600			900		
Internal Carcass Dimension	Width	Depth	Height	Width	Depth	Height
	564	294	614-664	864	294	614-664



Installation Stage 1:

- ▶ Mount side holder in C/c on both side of carcass accordingly
- ▶ Maintain minimum 120mm distance between bottom to 1st holder
- ▶ Maintain minimum 225mm distance between 1st holder to 2nd holder



Installation Stage 2:

- ▶ Mount Draining system in holders
- ▶ Insert collecting tray in Drainer hook

Carcase external width mm (for 18 mm panel thickness)	Order no	PU
600	9 206 160	1 set
900	9 206 161	1 set



Cargo Portable Dish Drainer



- ▶ Convenience of modular concept
- ▶ Can hold 5 Thali & 9 Plates
- ▶ Bottom mesh for holding utensils like spoons, forks, cups, bowls, glass, knives etc.
- ▶ Unique PVC collection tray
- ▶ Unique slotted plastic bottom for water draining
- ▶ Order PVC Tray & Plastic bottom separately
- ▶ Width 505 mm / Depth 340 mm / Height 330 mm
- ▶ Finish- Chrome Plated



Collecting Cargo PVC Tray 600mm



- ▶ Optional PVC tray for water collecting
- ▶ Width 540 mm / Depth 270 mm / Height 25 mm
- ▶ Finish- Silver Plastic

Acrylic sheet Portable Drainer



- ▶ Optional slotted plastic bottom for water draining
- ▶ Width 445 mm / Depth 230 mm / Thickness 3 mm
- ▶ Finish- White Plastic

S.no.	Description	Unit	Article no.	PU
1.	Cargo Portable Dish Drainer	Pc	9 267 212	1
2.	Collecting Cargo PVC Tray 600mm	Pc	9 190 453	1
3.	Acrylic sheet Portable Drainer	Pc	9 267 309	1



Cargo Fruit & Vegetable Drainer



- ▶ Drainer Basket made with Food Grade sturdy SS Wire mesh
- ▶ Plexiglass bottom to protect smaller vegetable from passing through
- ▶ PVC Leg Caps for preventing Scratches on Sinks
- ▶ Suitable for use with Sink bowl size 400 mm Width and 200 mm Depth
- ▶ Package Contains: 1 unit Wire Basket, 1 unit Plexiglass Bottom, 4 unit Plastic Legs
- ▶ Weight carrying capacity up to 7 Kgs
- ▶ Material: Stainless Steel
- ▶ Finish: Chrome Plated
- ▶ 5 Years replacement warranty against rusting



Outer Dimension

- ▶ Top Outer (WxDxH) mm: 340x500x130mm
- ▶ Outer Bottom (WxDxH) mm: 290x390x130mm

Internal Dimension

- ▶ Top Internal (WxDxH) mm: 320x480x124mm
- ▶ Internal Bottom (WxDxH) mm: 284x384x124mm



S.no.	Description	Unit	Article no.	PU
1.	Cargo Portable Dish Drainer	Pc	9 291 303	1

Wall unit interior fittings

- ▶ Pull out shelf, depth 250 mm

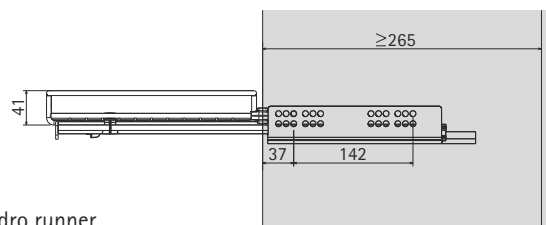


- ▶ Functional and visually pleasing alternative to wooden shelves, in kitchen
- ▶ Can be mounted with KA telescopic & Quadro runners
- ▶ Available in three standard carcass widths- 600, 750 & 900 mm
- ▶ Available depth- 250 mm
- ▶ Height of moving shelf 41 mm
- ▶ Loading capacity 30-40 kg
- ▶ Optional plastic bottom
- ▶ Finish: Chrome Plate
- ▶ Order runner & clamps accordingly

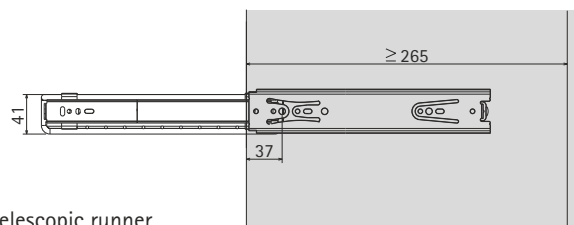
Planning dimensions



With quadro runner



With telescopic runner



Width mm	Carcase external width mm (for side panel thickness 18 mm)	Depth mm	Height mm	Order no.	PU
536	600	250	41	9 209 343	2 ea.
536 (Plastic bottom)	600	250		9 213 053	1 ea.
686	750	250	41	9 210 437	2 ea.
686 (Plastic bottom)	750	250		9 213 058	1 ea.
836	900	250	41	9 209 346	2 ea.
836 (Plastic bottom)	900	250		9 213 062	1 ea.

Advice

For Quadro & KA Telescopic runner, see page 112 - 116
Installation similar to CargoTech basket, see page 34 - 35

Fitting systems for wardrobe interiors



Intelligent fitting systems from Hettich help to create innovative functions behind attractive fronts. The flexible organiser systems can be adapted to the users' individual requirements. The system's enormous functionality is perfect for individually configured wardrobes. Variable width permits easy adaptation to conditions in the room. Pull-outs ensure outstanding convenience, every day.



Smart replacement of wooden shelves



Shoe rack for carcass width 600 mm & 900 mm



Easy to install



Telescopic trouser holder

Fitting systems for wardrobe interiors

- ▶ Interior fittings for wardrobes
- ▶ Range summary



Pull out shelf, depth 500 mm

101



Cargo pull out shoe rack horizontal

102



Cargo pull out shoe rack vertical

103



Cargo Wall Shoe Rack

104 - 105



Cargo trouser pull out

106 - 107



Cargo tie belt pull out

108 - 109



Cargo laundry basket

110 - 111

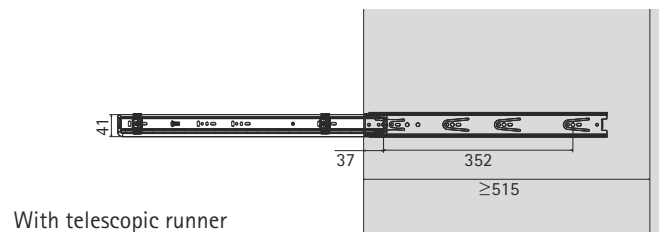
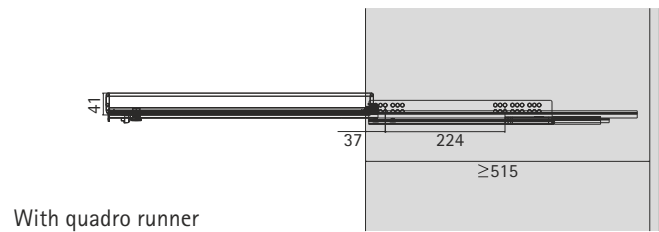
Interior fittings for wardrobe

▶ Pull out shelf, depth 500 mm



- ▶ Functional and visually pleasing alternative to wooden shelves, in wardrobes
- ▶ Can be mounted with KA telescopic & Quadro runners
- ▶ Available in three standard carcass widths- 600, 750 & 900 mm
- ▶ Available depth- 500 mm
- ▶ Height of moving shelf 41 mm
- ▶ Loading capacity 30-40 kg
- ▶ Optional plastic bottom
- ▶ Finish: Chrome Plate
- ▶ Order runner & clamps accordingly

Planning dimensions



Width mm	Carcase external width mm (for side panel thickness 18 mm)	Depth mm	Height mm	Order no.	PU
536 (including plastic bottom)	600	500	41	9 209 345	1 ea.
686 (including plastic bottom)	750	500	41	9 210 438	1 ea.
836 (including plastic bottom)	900	500	41	9 209 348	1 ea.

Advice

For Quadro & KA Telescopic runner, see page 112 - 116

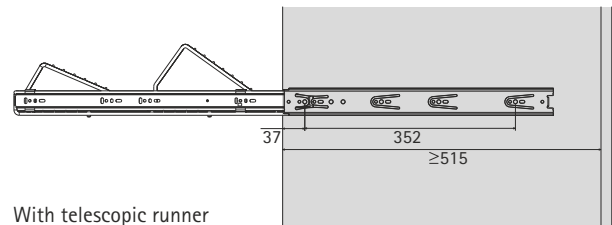
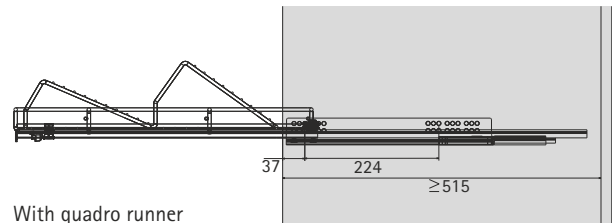
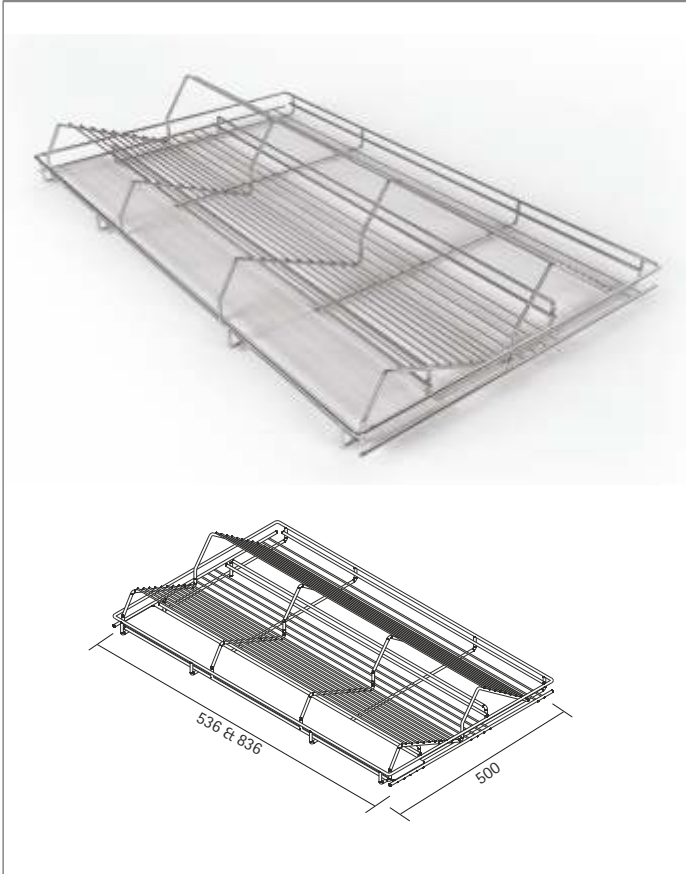
Interior fittings for wardrobe

► Cargo pull out shoe rack horizontal



- Installation between carcass sides
- Can take minimum 4 pairs (600 mm) & 6 pairs (900 mm) of adult size shoes
- Additional space to keep related accessories like shoe polish & brush etc.
- Compatible with Quadro & KA telescopic runners
- Available in two standard carcass widths- 600 & 900 mm
- Recommended internal carcass height 300 mm
- Finish: Chrome Plated
- Order runner & clamps accordingly

Planning dimensions



Width mm	Order no	PU
600	9 217 067	1 pc
900	9 211 635	1 pc

Advice

For Quadro & KA Telescopic runner, see page 112 - 116

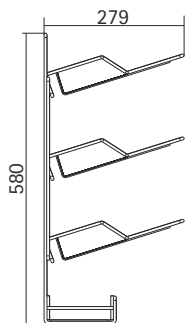
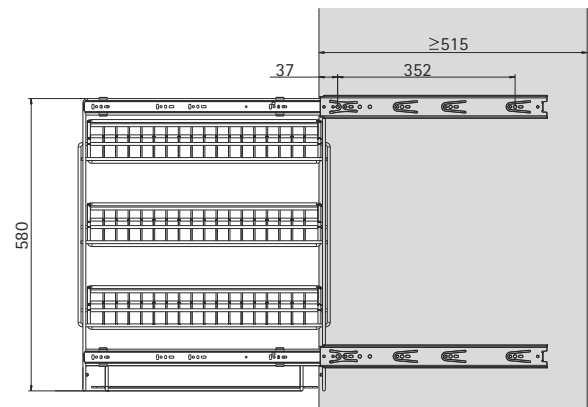
Interior fittings for wardrobe

► Cargo pull out shoe rack vertical



- Easily mountable on carcase side
- Suitable for use on left or right side
- Can take minimum 6 pairs of adult shoes
- Additional space to keep related accessories like shoe polish & brush etc.
- Compatible with KA telescopic runners
- With 3 clip-on shoe racks
- Recommended internal carcase height 750 mm
- Finish: Chrome Plated
- Order KA telescopic runner & clamps separately

Planning dimensions



Article	Order no	PU
Cargo pull out shoe rack vertical	9 209 340	1 pc

Advice

For KA Telescopic runner, see page 115- 116

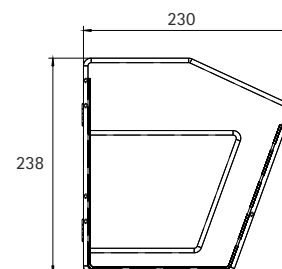
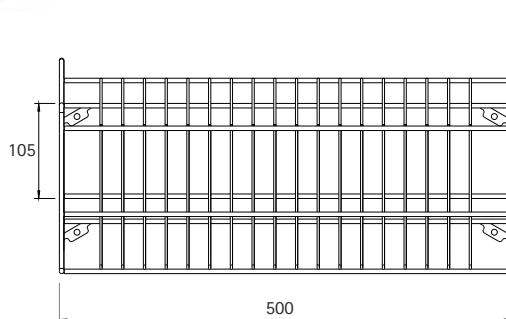
Interior fittings for wardrobe

► Cargo wall shoe rack (M)



- For screwing onto cabinet flaps which open individually or to the inside of cabinet sides or fronts
- Can take minimum 4 pairs of adult size shoes
- Finish: Chrome Plated

Planning dimensions



Article

Wall mount shoe rack

Order no

9 243 992

PU

1 pc

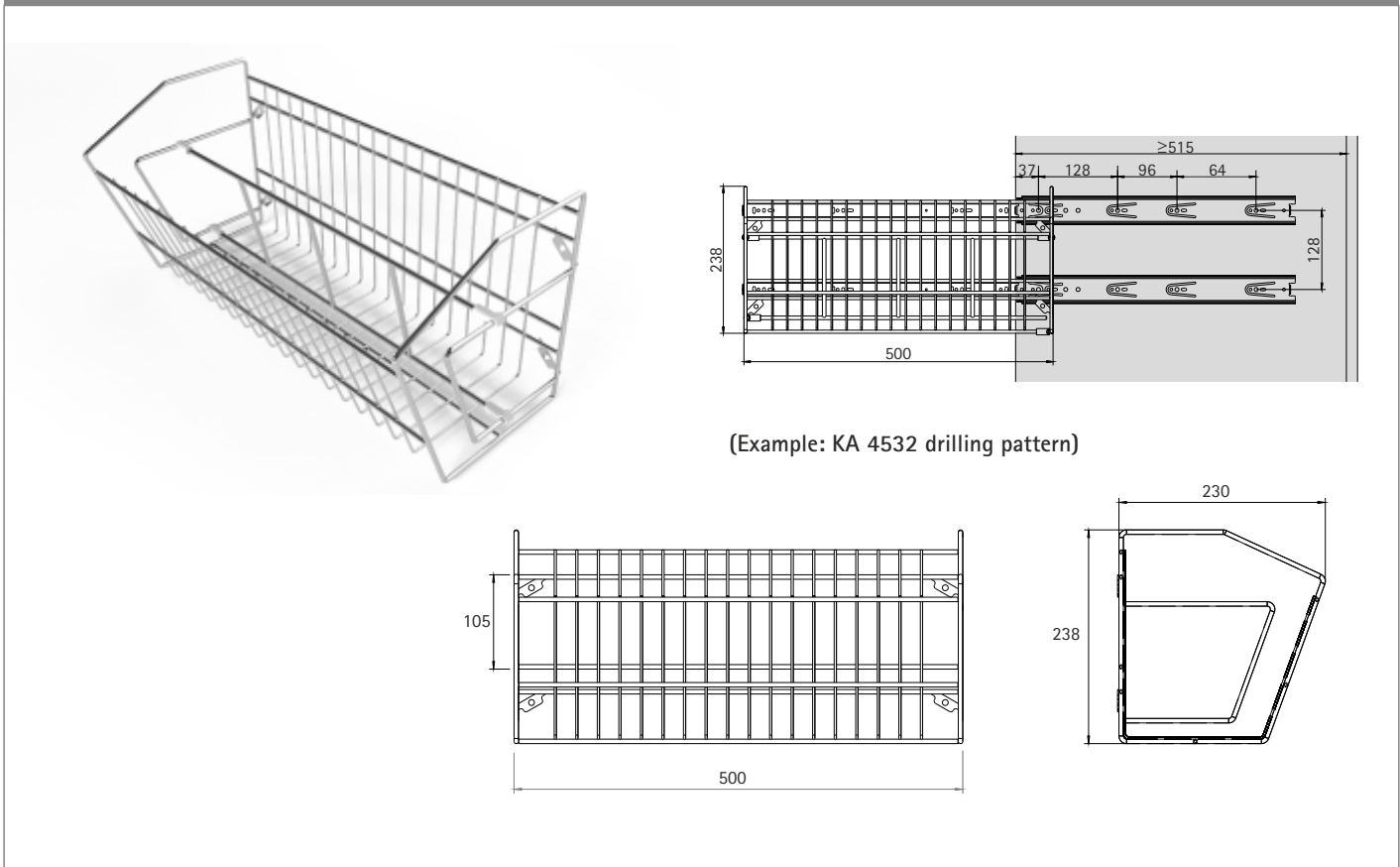
Interior fittings for wardrobe

► Cargo wall shoe rack (M) with KA



- Easily mountable on carcass side
- Suitable for use on left or right side
- Can take minimum 4 pairs of adult size shoes
- Order KA telescopic runner separately
- Finish: Chrome Plated

Planning dimensions



Width mm	Order no	PU
Wall mount shoe rack	9 243 992	1 pc
KA 4532, Silent system - 500mm	9 114 276	1 pc

Advice

For KA Telescopic runner, see page 115 - 116

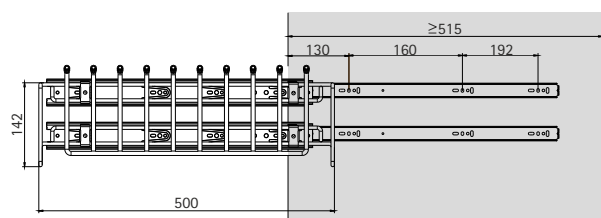
Interior fittings for wardrobe

► Cargo Trousers pull out M



- For mounting on carcass side
- Can take up to 10 trousers
- Trousers holder with non-slip element
- Suitable for use either on left or right side
- Order KA telescopic runner separately
- Finish: Chrome Plated

Planning dimensions



With telescopic runner

Article	Order no	PU
Cargo trousers pull out W-320 mm	9 243 990	1 pc
KA 4532, Silent system - 500mm	9 114 276	1 set

Interior fittings for wardrobe

► Cargo trouser pull out



- Installed between carcass sides
- Available in two carcass widths- 600 Et 900 mm
- Can take up to 11 trousers (600 mm) Et 17 trousers (900 mm)
- Trouser holder with non-slip element
- Tray for keeping accessories like watches / cufflinks / tie clips etc.
- Inclusive of 2 trays for 536 mm and 3 trays for 836 mm
- Handle on both sides for easy pull out
- Order KA telescopic runner separately
- Finish: Chrome Plated

Planning dimensions

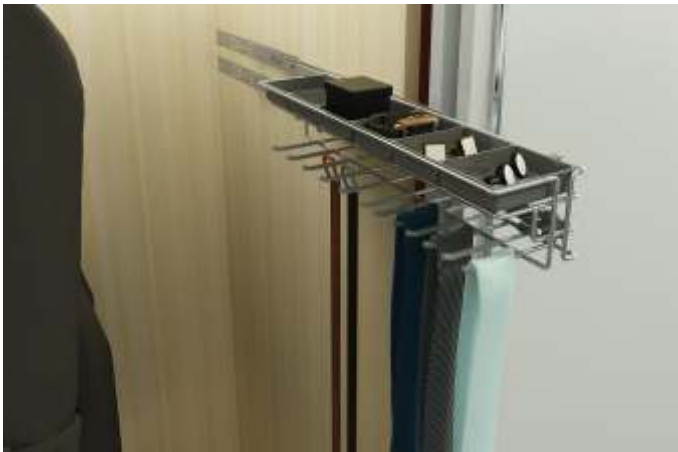
The diagram shows a technical drilling pattern for the KA 4532 telescopic runner. The total length of the runner is 500 mm. The drilling pattern includes a 37 mm section at the end, followed by a 128 mm section, a 96 mm section, and a 64 mm section.

(Example: KA 4532 drilling pattern)

Article	Order no	PU
Cargo trouser pull out 536mm width (for carcass with external width 600mm)	9 221 098	1 pc
Cargo trouser pull out 836mm width (for carcass with external width 900mm)	9 236 898	1 pc
KA 4532, Silent system- 500 mm	9 114 276	1 set

Interior fittings for wardrobe

► Cargo Tie belt pull out



- Tie holder with non-slip element
- For mounting on carcass side
- Suitable for use on either left or right
- Can take up to 5 Belts & 7 Ties
- Tray for keeping accessories like watches / cufflinks / tie clips etc.
- Inclusive with 2 trays
- Order KA telescopic runner separately
- Finish: Chrome Plated
- Made of stainless steel wire

Planning dimensions

The diagram shows a technical drilling pattern for the tray. The overall length is 500 mm. The tray has a depth of 100 mm. The mounting holes are spaced as follows: 37 mm from the left edge to the first hole, 128 mm between the first and second holes, 96 mm between the second and third holes, and 64 mm between the third and fourth holes. The total length of the hole pattern is ≥ 515 mm. The tray height is 63 mm.

(Example: KA 4532/ KA 5632 drilling pattern)

Article	Order no	PU
Cargo tie belt pull out	9 221 099	1 pc
KA 4532, Silent system- 500 mm	9 114 276	1 set

Advice

For KA Telescopic runner, see page 115 - 116

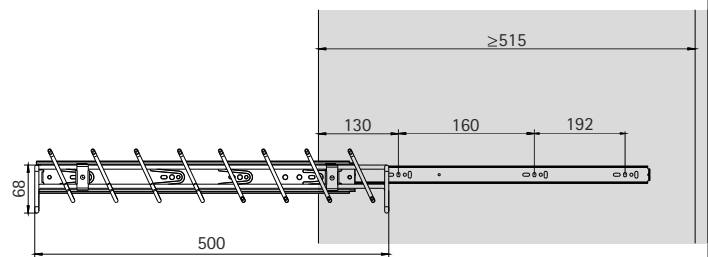
Interior fittings for wardrobe

► Cargo Tie belt pull out M



- Tie holder with non-slip element
- For mounting on carcass side
- Suitable for use on either left or right
- Can take up to 4 Belts & 12 Ties
- Order KA telescopic runner separately
- Finish: Chrome Plated
- Made of stainless steel wire

Planning dimensions



With telescopic runner

Article	Order no	PU
Cargo tie & belt pull out M	9 243 991	1 pc
KA 4532, Silent system - 500mm	9 114 276	1 set

Advice

For KA Telescopic runner, see page 115 - 116

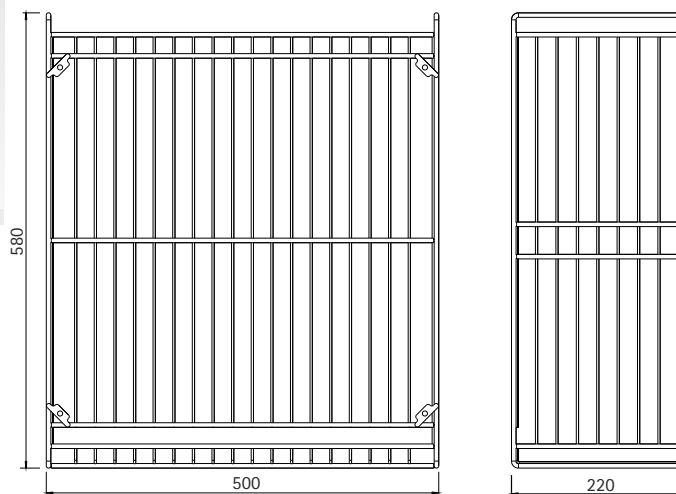
Interior fittings for wardrobe

► Cargo Laundry



- Easily mountable on carcass side
- Suitable for use on left or right side
- Mesh close enough to avoid clothes falling off
- Finish: Chrome Plated

Planning dimensions



Article	Order no	PU
Cargo laundry	9 241 012	1 pc

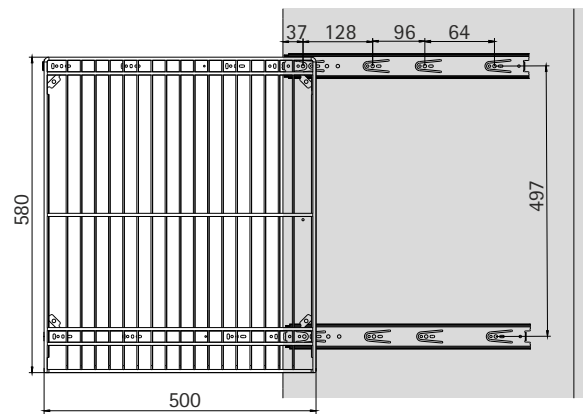
Interior fittings for wardrobe

► Cargo Laundry with KA



- Easily mountable on carcass side
- Suitable for use on left or right side
- Mesh close enough to avoid clothes falling off
- Order KA telescopic runner separately
- Finish: Chrome Plated

Planning dimensions



(Example: KA 4532 drilling pattern)

Article	Order no	PU
Cargo laundry	9 241 012	1 pc
KA 4532, Silent system - 500mm	9 114 276	1 set

Drawer runner

► Quadro

Quadro-30 Part Extn. 30 Kg



- Stop Control - integrated self-closing mechanism for automatic closure
- Convenient slide-on assembly with catches and toolless vertical adjustment
- Flexible interchangeable system - from Quadro partial to full extension runner without altering carcass, drawer and front-panel dimensions
- Loading capacity to EN 15338, Level 3
- Galvanised steel

Nominal length mm	Order no	PU
250	7 290 4	1 set
450	7 321 2	1 set
500	3 368 7	1 set
550	7 321 4	1 set
600	7 321 5	1 set

Quadro-25 Part Extn. With Silent System 25 Kg



- Silent System - the integrated soft-closing function shuts the drawer quietly and gently
- Convenient slide-on assembly with catches and toolless vertical adjustment
- Flexible interchangeable system - from Quadro partial to full extension runner without altering carcass, drawer and front-panel dimensions
- Loading capacity to EN 15338, Level 3
- Galvanised steel

Nominal length mm	Order no	PU
250	9 135 931	1 set
450	9 135 939	1 set
500	9 135 941	1 set
550	9 135 943	1 set

Drawer runner

► Quadro

Quadro-V6 Full Extn. With Silent System 30Kg



- Silent System - the integrated soft-closing function shuts the drawer quietly and gently
- Convenient slide-on assembly with catches and toolless vertical adjustment
- Loading capacity to EN 15338, Level 3
- Galvanised steel

Nominal length mm	Order no	PU
450	0 045 291	1 set
500	0 045 293	1 set
550	0 045 295	1 set
600	0 045 297	1 set

Quadro P20 Partial 25 kg



- Push to open - the precision Push to open mechanism automatically opens the drawer in virtual silence - a light press is all it takes!
- Convenient slide-on assembly with catches and toolless vertical adjustment
- Flexible interchangeable system - from Quadro partial to full extension runner without altering carcass, drawer and front-panel dimensions
- Loading capacity to EN 15338, Level 3
- Galvanised steel

Nominal length mm	Order no	PU
250	9 135 957	1 set
450	9 135 964	1 set
500	9 135 966	1 set
550	9 135 968	1 set

Drawer runner

► Quadro

Quadro P20 Full Extension 30 kg



- Push to open - the precision Push to open mechanism automatically opens the drawer in virtual silence - a light press is all it takes!
- Convenient slide-on assembly with catches and toolless vertical adjustment
- Loading capacity to EN 15338, Level 3
- Galvanised steel

Nominal length mm	Order no	PU
250	9 135 984	1 set
450	9 135 991	1 set
500	9 135 993	1 set
550	9 135 995	1 set

CargoTech Quadro Clamp

Front



Rear



Set comprises:

- 2 front clamp
- 2 rear clamp

Article	Order no	PU
CargoTech Quadro clamp	9 160 975	1 set

Drawer runner

▶ Ball-bearing runner KA

KA 5632 45kg Zinc / Black



- ▶ Precision full extension runner with pull-out stop and roll-out guard
- ▶ Using a release lever, the drawer can be detached from the runner and thus removed and re-fitted with ease
- ▶ Precision control for silky smooth running action and high lateral stability
- ▶ For drawers with grooved, rebated or loosely fitted drawer bottom
- ▶ Loading capacity to EN 15338, Level 1
- ▶ Galvanised steel, blue passivated

Nominal length mm	Order no.		PU
	Zinc	Black	
250	0 073 276	0 044 916	1 set
300	0 073 277	0 044 915	1 set
450	0 073 280	0 044 912	1 set
500	0 073 281	0 044 911	1 set
500	0 073 282	0 044 909	1 set
600	0 073 283	0 044 908	1 set

KA 4532, 35kg Silent System / P20 Zinc



- ▶ Silent System - the integrated soft-closing function shuts the drawer quietly and gently
- ▶ Using a release lever, the drawer can be detached from the runner and thus removed and re-fitted with ease.
- ▶ Precision control for silky smooth running action and high lateral stability
- ▶ For drawers with grooved, rebated or loosely fitted drawer bottom
- ▶ Loading capacity to EN 15338, Level 2
- ▶ Galvanised steel, blue passivated

Nominal length mm	Order no.		PU
	Silent system	Push to open	
300	9 114 271	9 114 281	1 set
500	9 114 276	9 114 285	1 set
550	9 114 277	9 114 286	1 set
600	9 114 278	9 114 288	1 set
650	9 114 279	9 114 289	1 set
700	9 114 280	9 114 290	1 set

Drawer runner

▶ Ball-bearing runner KA

KA 4932 Over Extn. 60kg



- ▶ Over extension runner with pull-out stop and roll-out guard
- ▶ Using a release lever, the drawer can be detached from the runner and thus removed and re-fitted with ease.
- ▶ Precision control for silky smooth running action and high lateral stability
- ▶ For drawers with grooved, rebated or loosely fitted drawer bottom
- ▶ Loading capacity to EN 15338, Level 1
- ▶ Galvanised steel, blue passivated

Nominal length mm	Order no	PU
250	0 041 356	1 set
300	0 041 357	1 set
500	0 041 362	1 set
550	0 041 363	1 set
600	0 041 364	1 set

KA Telescopic clamp

- ▶ To be used with CargoTech, CargoTech M
- ▶ Steel, Chrome Plated
- ▶ Set comprises: 4 pcs.



Article	Order no	PU
KA Telescopic clamp	1 180 142	1 set

Plastic Bottoms

Optional Plastic Bottoms for Cargotech baskets

► Optional plastic bottoms for aesthetic appeal to wire baskets



Material Description	Order no	PU
Plastic Bottom for Cargo Duo Cabinet Shelf 450mm	9242856	1 PCE
Plastic Bottom for Cargo Duo DoorShelf 450mm	9242857	1 PCE
Plastic Bottom For Cargo Duo Cabinet Shelf 600mm	9242858	1 PCE
Plastic Bottom For Cargo Duo DoorShelf 600mm	9242859	1 PCE
Plastic Bottom For Cargo Larder basket 300mm	9242860	1 PCE
Plastic Bottom For Cargo Larder basket 400mm	9242861	1 PCE
Plastic Bottom For Cargo Larder basket 450mm	9242862	1 PCE
Plastic Bottom For Cargo Moving Cornerr (Set of 4 Pcs)	9242863	1 SET
Plastic Bottom For 386x500 CargoTech basket	9237795	1 PCE
Plastic Bottom For 436x500 CargoTech basket	9237796	1 PCE
Plastic Bottom For 486x500 CargoTech basket	9237797	1 PCE
Plastic Bottom For 536x500 CargoTech basket	9237798	1 PCE
Plastic Bottom For 836x500 CargoTech basket	9237849	1 PCE
Plastic Bottom for Pullout Shelf (536x250mm)	9213053	1 PCE
Plastic Bottom for Pullout Shelf (686x250mm)	9213058	1 PCE
Plastic Bottom for Pullout Shelf (836x250mm)	9213062	1 PCE

Drawer systems

18 – 62

Cabinet interiors

63 – 117

Registered & Head Office:
Hettich India Private Limited
302, Duro-lite House,
Opp. SAB TV, New Link Road,
Andheri (West), Mumbai - 400 053
Phone: +91 22 2674 3289/3356/4089
Fax: +91 22 2674 3267

Delhi Office:
Hettich India Private Limited
A-26/4, 1st floor,
Mohan Co-operative Industrial Estate,
New Delhi - 110 044
Phone: +91 11 4889 4000, 4889 4005
Fax: +91 11 4889 4044

Vadodara Factory:
Plot No. 304, Dhanora,
Nandesari Road,
Near ECPL,
Village - Dhanora - 391 346
Dist. - Vadodara
Tel: + 91 26 5656 9003

09_2020

Application Centres:

New Delhi:
61, Panchkuian Road,
New Delhi - 110 001
Ph. No. : +91 11 2358 0713,
+91 11 2358 4603

Kolkata:
2nd Floor, Unit Number 2A,
Tirumala 22,
East Topsia Road,
Kolkata - 700 046
Ph. No. : +91 98310 12054

Bangalore:
Adventz Center, Ground Floor 28,
Cubbon Road, Shivaji Nagar,
Bangalore - 560 001
Ph. No. : +91 80 4530 0400,
+91 80 4530 0401

Indore:
Office No.106 and 107-A,
"Brilliant Titanium",
Plot No.9, Scheme No.78, Part-II,
Indore - 452 010
Ph. No. : +91 96 9168 4480

Training Center Address:

Hettich Poddar Wood Work Institute
Plot No.2, 1st Floor, DLF Industrial Estate-1
Near NHPC Metro Station,
Faridabad- Haryana
Ph: +91 129 4203888
Email: info@hpwwi.com

Mumbai:
202, Duro-lite House, Opp. SAB TV,
New Link Road, Andheri (West),
Mumbai - 400 053
Ph.No. : +91 22 2639 9707

Hyderabad:
" Sai Krishna "
797 - A, 2nd Floor,
Road No. 36, Jubilee Hills,
Hyderabad - 500 034
Ph. No. :+91 40 2355 8994

Kochi:
41/2062D, 2nd Floor
Palarivattom signal
junction, NH 47 By-pass,
Kochi - 682 028
Ph. No. : +91 48 4402 8242

Enquiry & Customer Services
Toll Free : 1800 209 2096 (office hours)
Email: sales_enquiry@in.hettich.com
customer_services@in.hettich.com
www.hettich.com

Chennai:
"Heavitree", Ground Floor,
47, Spur Tank Road,
Chetpet, Chennai - 600 031
Ph. No. : +91 44 4263 7227

Ahmedabad:
1st Floor, Unit No. 102,
Safal Pegasus,
Anand Nagar,
Ahmedabad - 380 015,
Ph. No. : +91 79 4032 2824

Chandigarh:
2nd Floor, Aspire Tower,
Plot no. 55, Industrial
& Business park, Phase 1,
Chandigarh - 160 002
Ph. No. : +91 172 5012 347

Technik für Möbel


Hettich